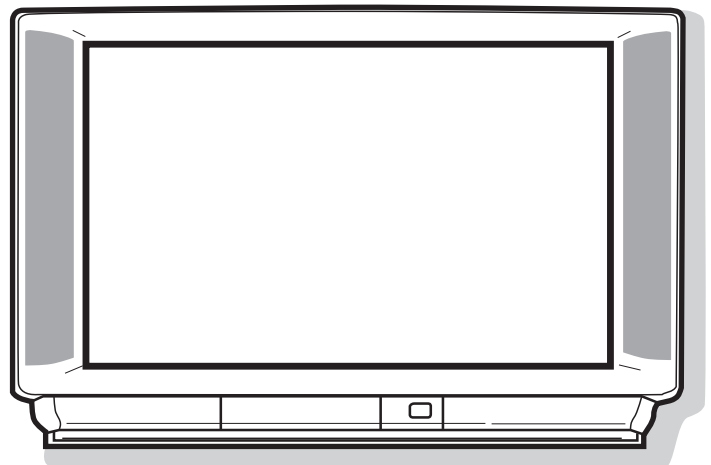




Colour Television    Service Manual    Model C28WP1 (Europe)  
C28WP1B (U.K)  
C28WP1E (Ireland)  
Service Ref. No. C28WP1-00  
Service Ref. No. C28WP1B-00  
Service Ref. No. C28WP1E-00

PRODUCT CODE  
1113 29404 (C28WP1)  
1113 29401 (C28WP1B)  
1113 29408 (C28WP1E)  
ORIGINAL VERSION  
Chassis No. WB2-A



Give complete "SERVICE REF. NO." for parts order or servicing, it is shown on the rating sheet on the cabinet back of the TV set.

Note  
This TV receiver will not work properly in foreign countries where the television transmission system and power source differ from the design specifications. Refer to the specifications for the design specifications

<b>Contents</b>	
Safety notice . . . . .	.2
Specifications . . . . .	.2
Pin configuration of system control, CPU . . . . .	.3
Chassis block diagrams . . . . .	.4-7
IC block diagrams . . . . .	.8-17
Adjustment locations on the board . . . . .	.18-19
Service control adjustments . . . . .	.20
Circuit alignments . . . . .	.21
Adjustments in the service mode . . . . .	.23-25
Special functions . . . . .	.25
Cabinet parts list . . . . .	.26
Electrical parts list . . . . .	.27-48

# SAFETY NOTICE

## SAFETY PRECAUTION

- 1: An isolation transformer should be connected in the power line between the receiver and the AC line when a service is performed on the primary of the converter transformer of the set.
- 2: Comply with all caution and safety-related notes provided on the cabinet back, inside the cabinet, on the chassis or the picture tube.
- 3: When replacing a chassis in the cabinet, always be certain that all the protective devices are installed properly, such as, control knobs, adjustment covers or shields, barriers, isolation resistor-capacitor networks etc. Before returning any television to the customer, the service technician must be sure that it is completely safe to operate without danger of electrical shock.

## X-RADIATION PRECAUTION

The primary source of X-RADIATION in the television receiver is the picture tube. The picture tube is specially constructed to limit X-RADIATION emissions. For continued X-RADIATION protection, the replacement tube must be the same type as the original including suffix letter. Excessive high voltage may produce potentially hazardous X-RADIATION. To avoid such hazards, the high voltage must be maintained within specified limit. Refer to this service manual, high voltage adjustment for specific high voltage limit. If high voltage exceeds specified limits, take necessary corrective action. Carefully check +B1 volt power supply, and and that the high voltage is within the specified limits.

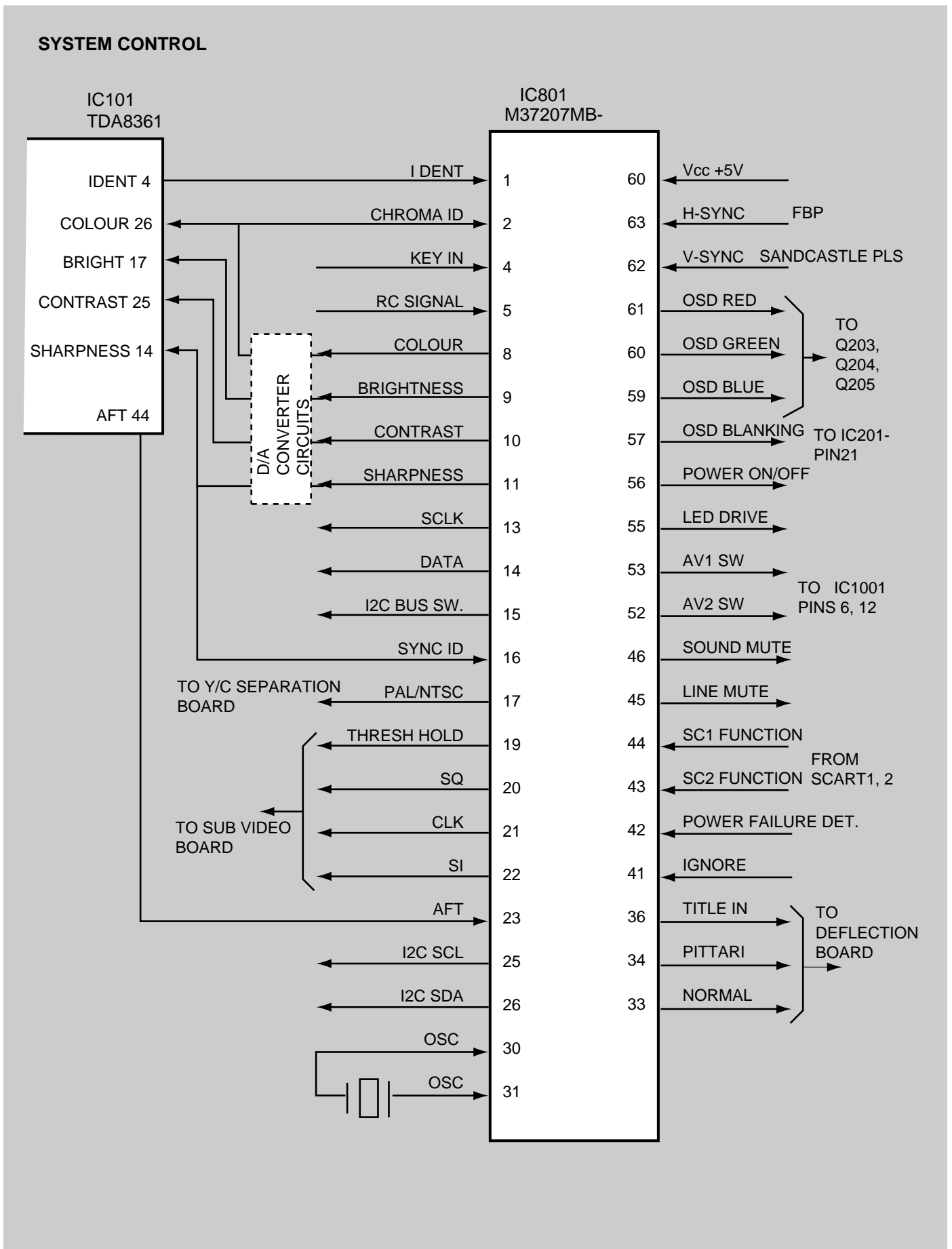
## PRODUCT SAFETY NOTICE

Product safety should be considered when a component replacement is made in any area of a receiver. Components indicated by mark ! in the parts list and the schematic diagram designate components in which safety can be of special significance. It is particularly recommended that only parts designated on the parts list in this manual be used for component replacement designated by mark ! . No deviations from resistance wattage or voltage ratings may be made for replacement items designated by mark ! .

## SPECIFICATIONS

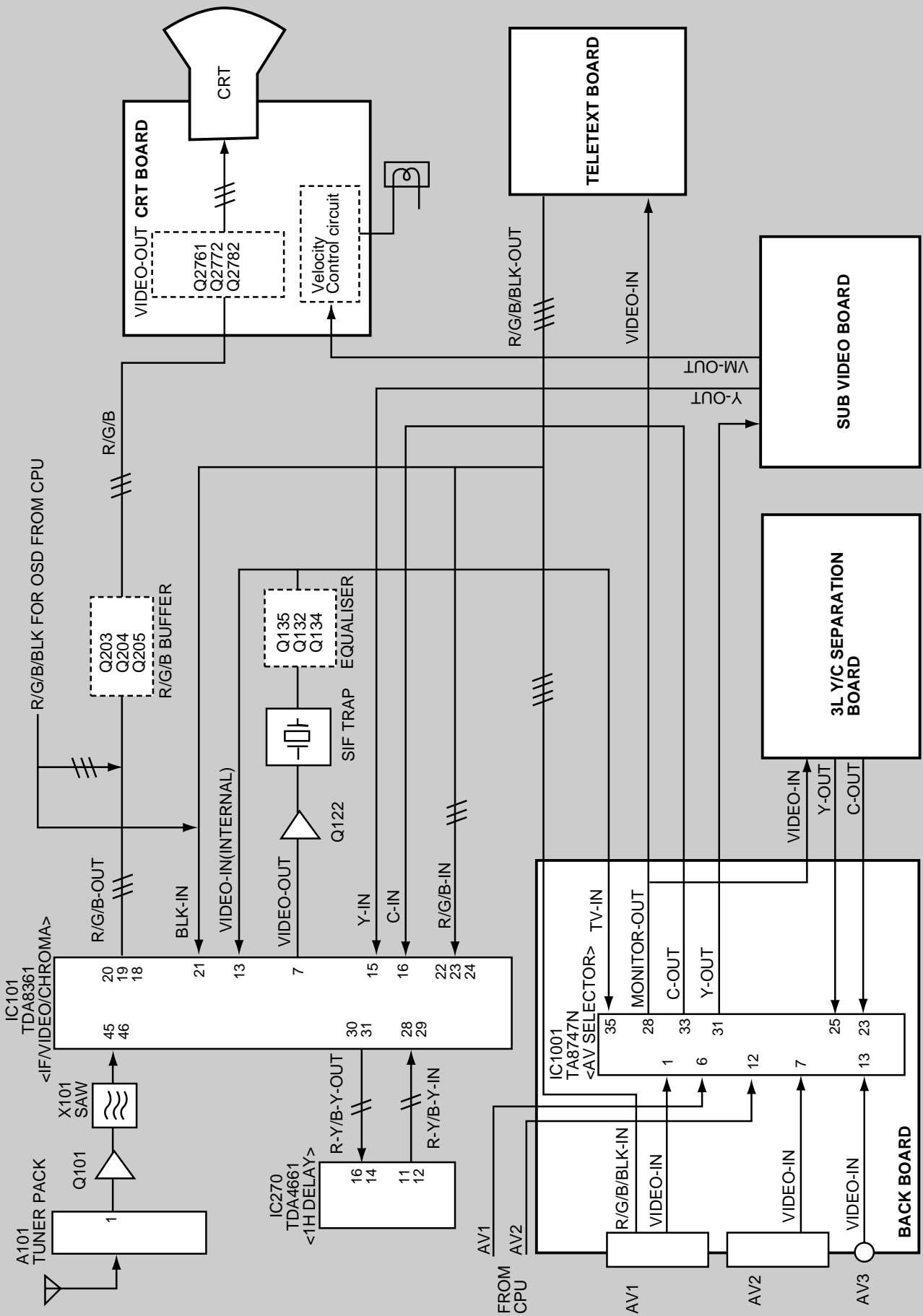
Specifications	(C28WP1)	(C28WP1B)	(C28WP1E)
Power source	AC 220~240V 50Hz	<--	<--
Television system	System B/G)	System I	System I/I
Colour system	PAL	<--	<--
Receiving channel	VHF E2~E12	n/a	A~J
	UHF 21~69	<--	<--
	CATV S1~S41, X,Y,Z, Z+1, Z+2	n/a	S1~S41,X,Y,Z,Z+1,Z+2
<b>Common Specifications</b>			
Aerial input impedance	75ohm		
AV terminal			
21 Pin socket	AV1 CENELEC standard<RGB/,S-in>		
	AV2 CENELEC standard		
Front AV terminal	AV3 RCA type,Video,Audio-L/R input		
Sound output	Main 10 watts X2		
(Continuous)	Centre 12 watts X1		
	Rear 6 watts X 2		
Picture tube	70cm diagonal, 106 degree		
(Visible picture diagonal)	66cm		
Dimensions (WxHxD)	739 x 494 x 485 mm		
Weight	38.5 Kg		

# PIN CONFIGURATION OF SYSTEM CONTROL, CPU

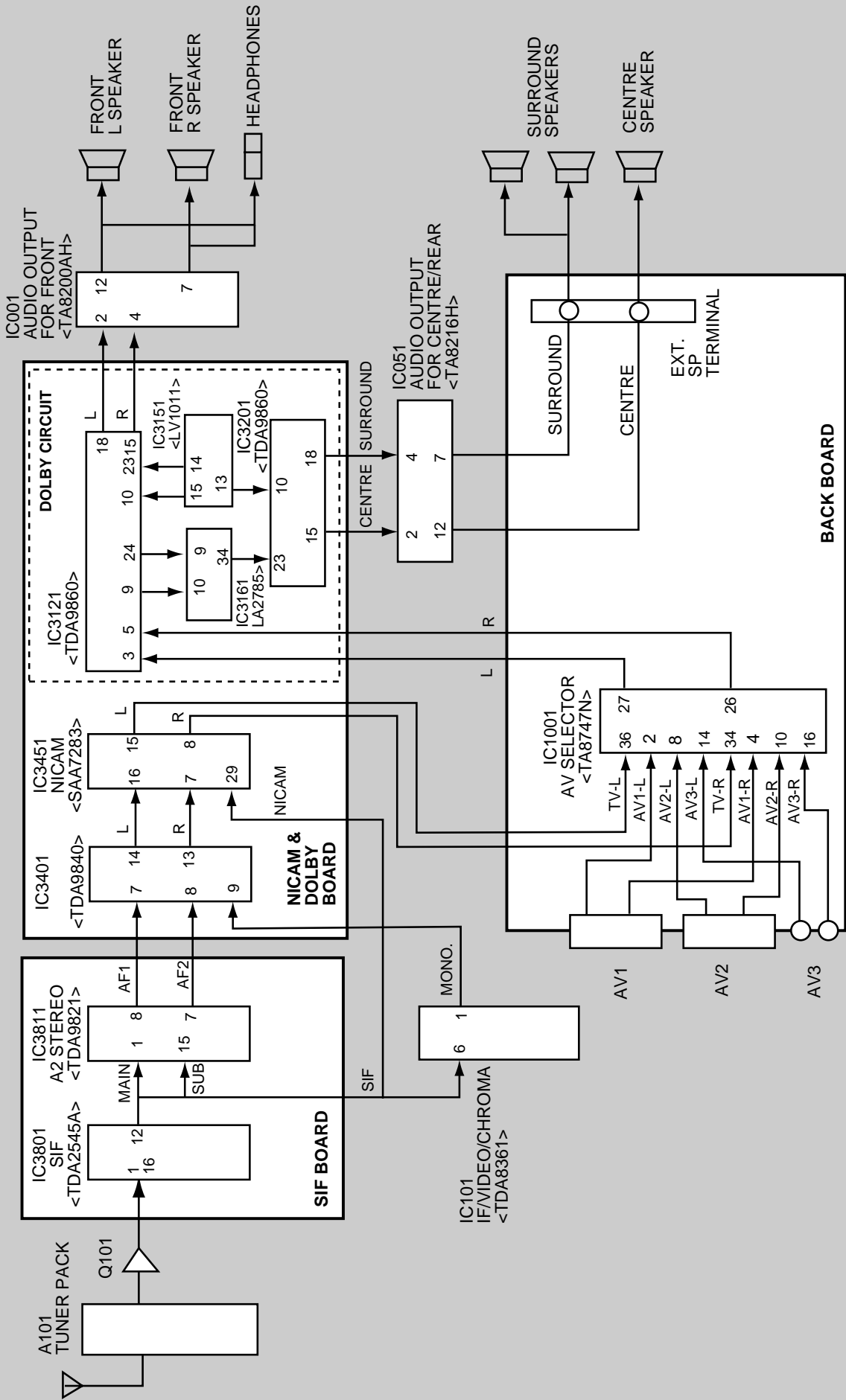


# CHASSIS BLOCK DIAGRAMS

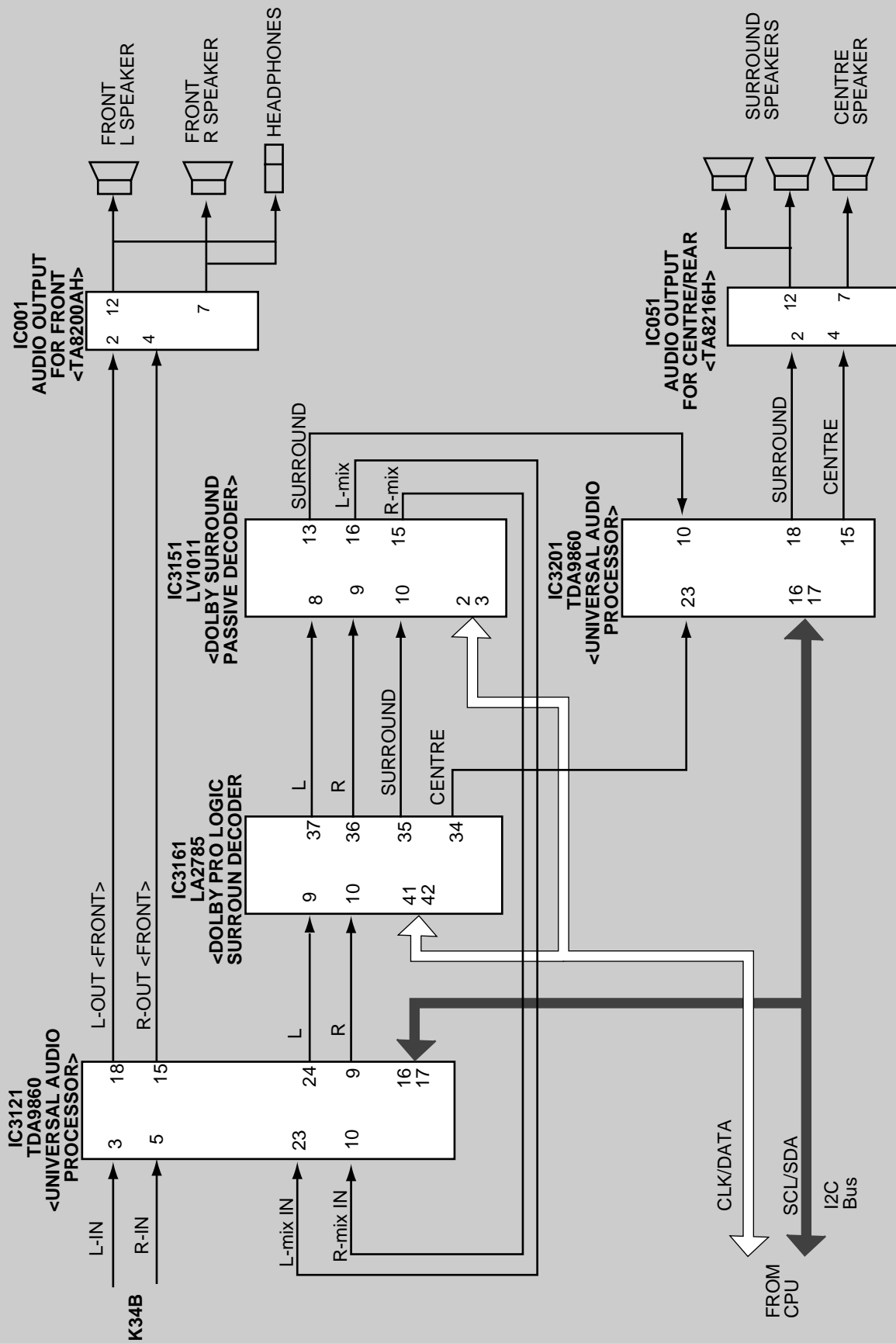
**BLOCK DIAGRAM <VIDEO SIGNAL PROCESSING>**



**BLOCK DIAGRAM < AUDIO SIGNAL PROCESSING >**

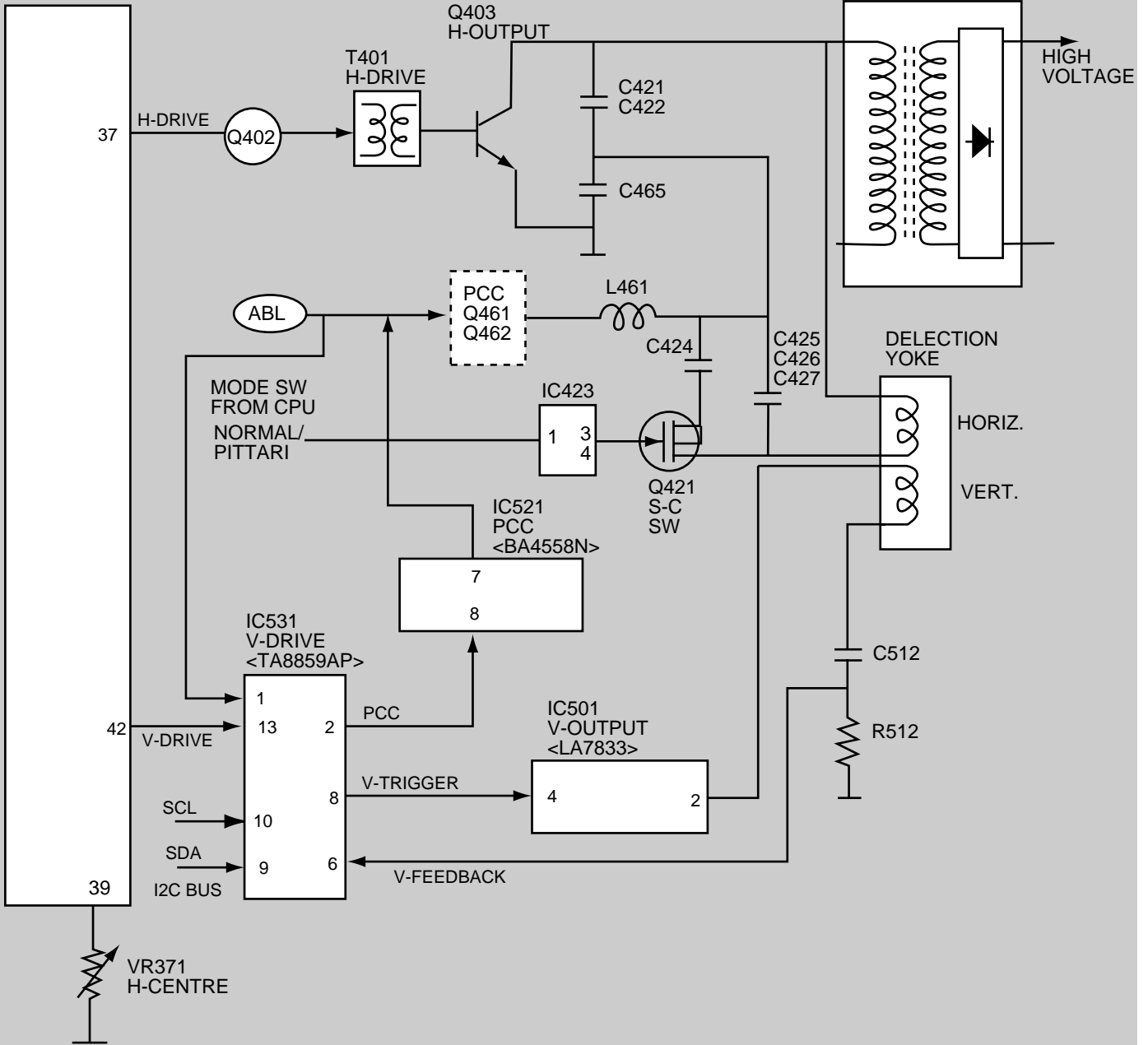


**BLOCK DIAGRAM < DOLBY PRO LOGIC SURROUND PROCESSING >**



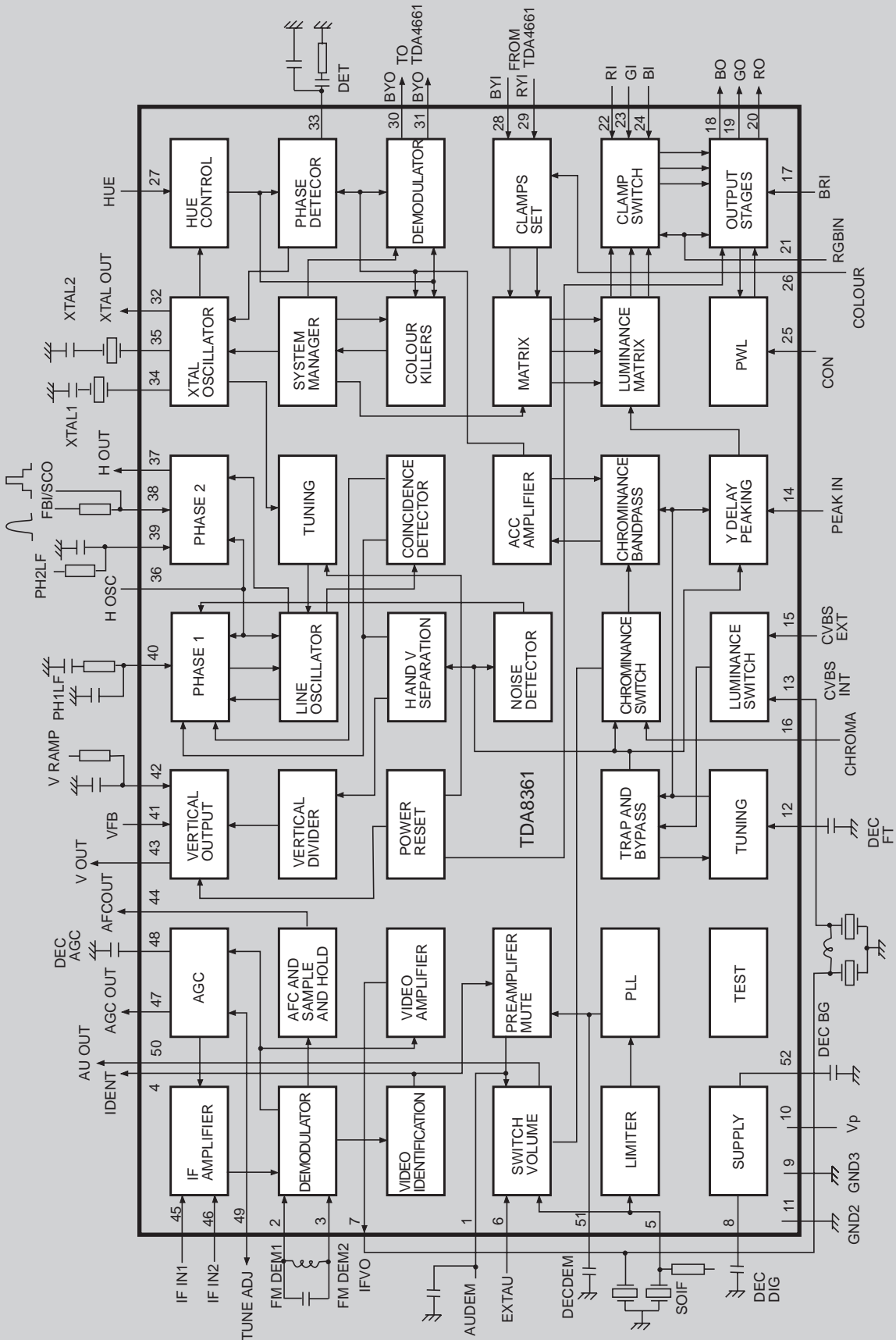
**BLOCK DIAGRAM <H&V DEFLECTION>**

IC101  
VIDEO/CHROMA/DEFLECTION  
<TDA8361>



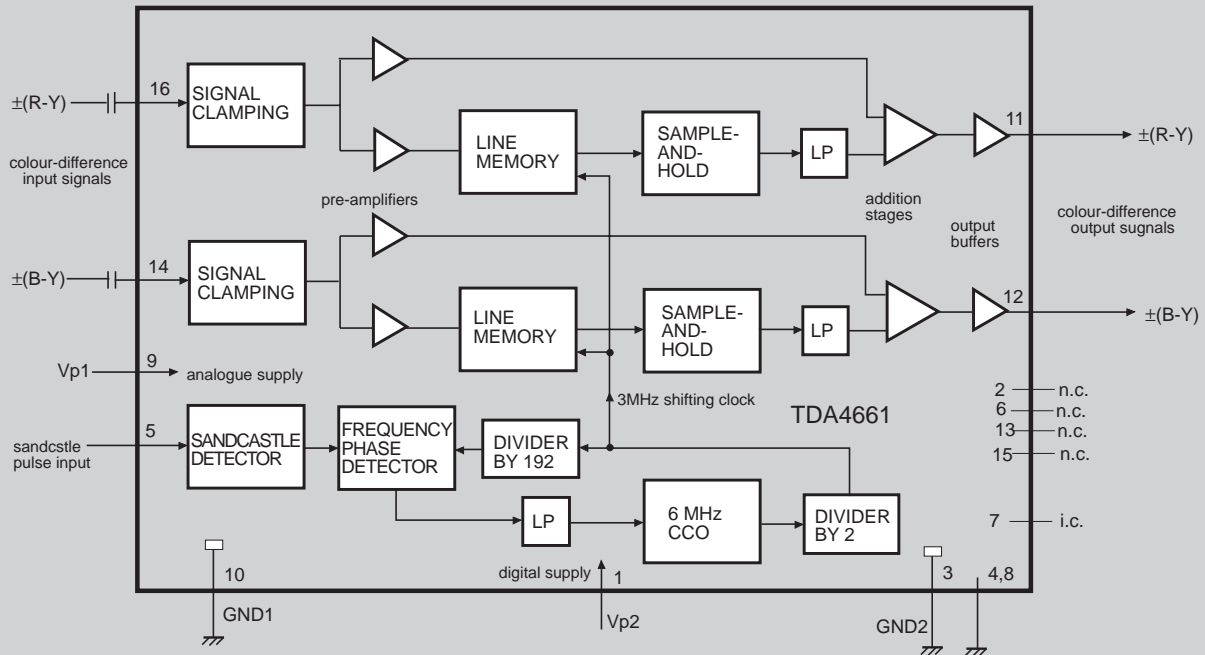
# IC BLOCK DIAGRAMS

## TDA8361 <IF/VIDEO/CHROMA/DEF.>

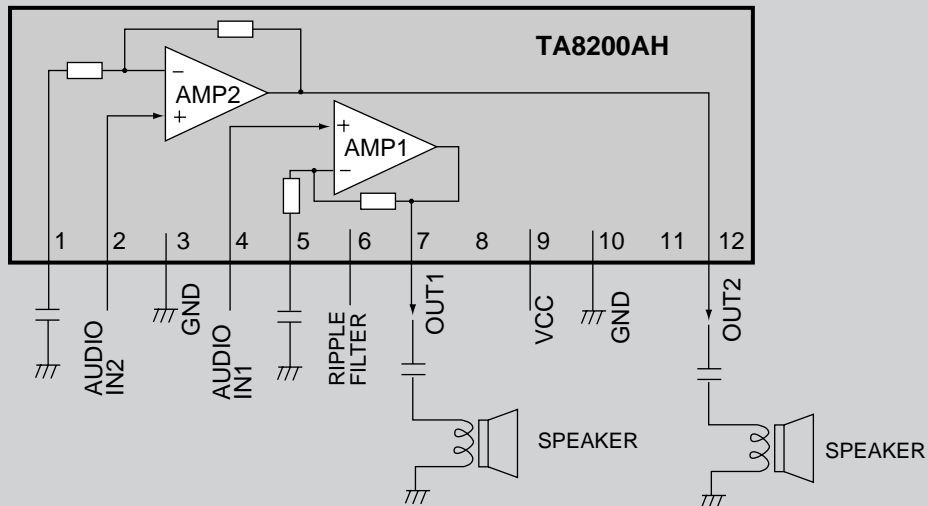




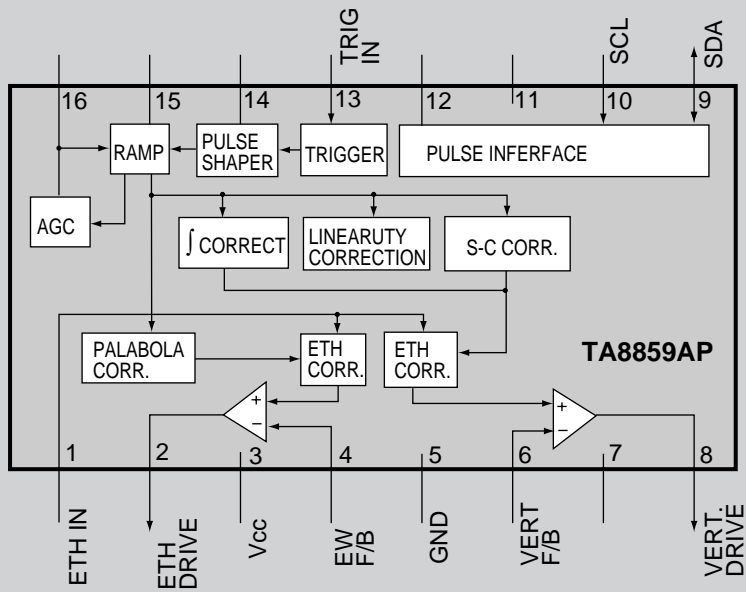
## TDA4661 <1H DELAY LINE>



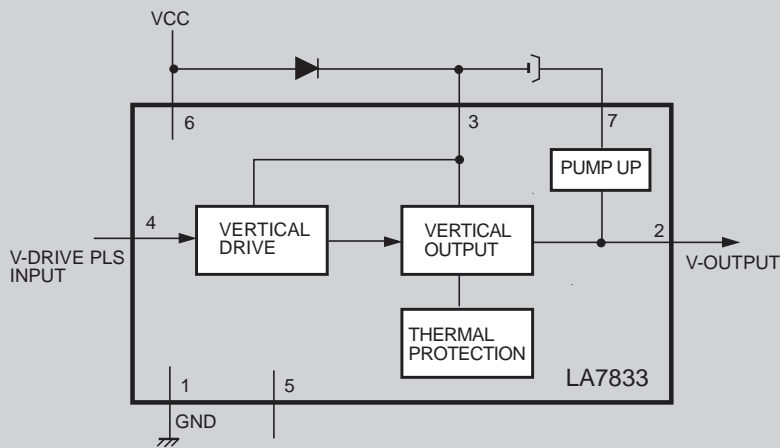
## TA8216H/TA8200AH <AUDIO OUTPUT>



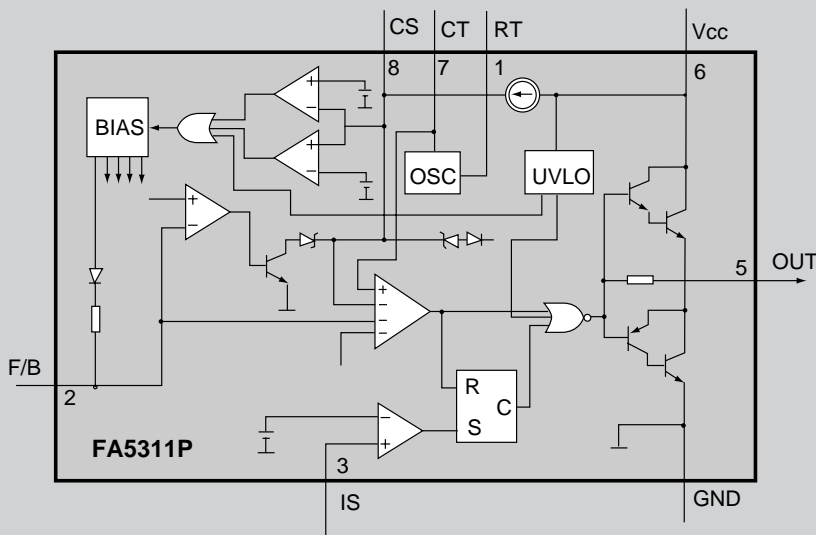
**TA8859AP <DEFLECTION CORRECTION>**



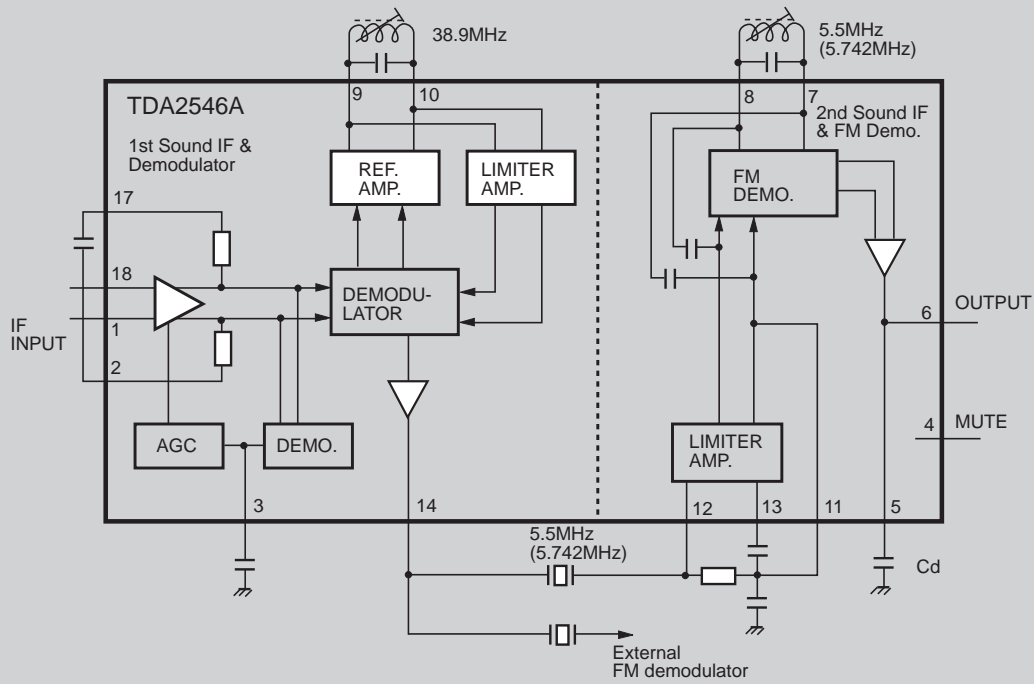
**LA7833 <VERTICAL OUTPUT>**



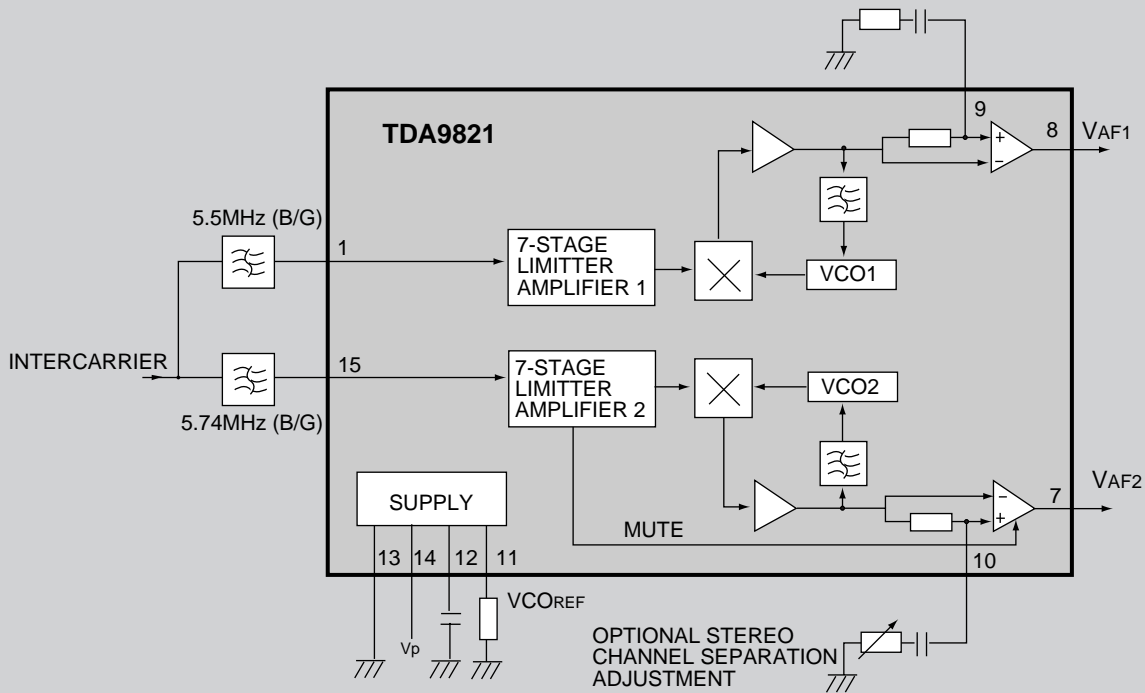
**FA5311P <POWER SWITCHING CONTROLLER>**



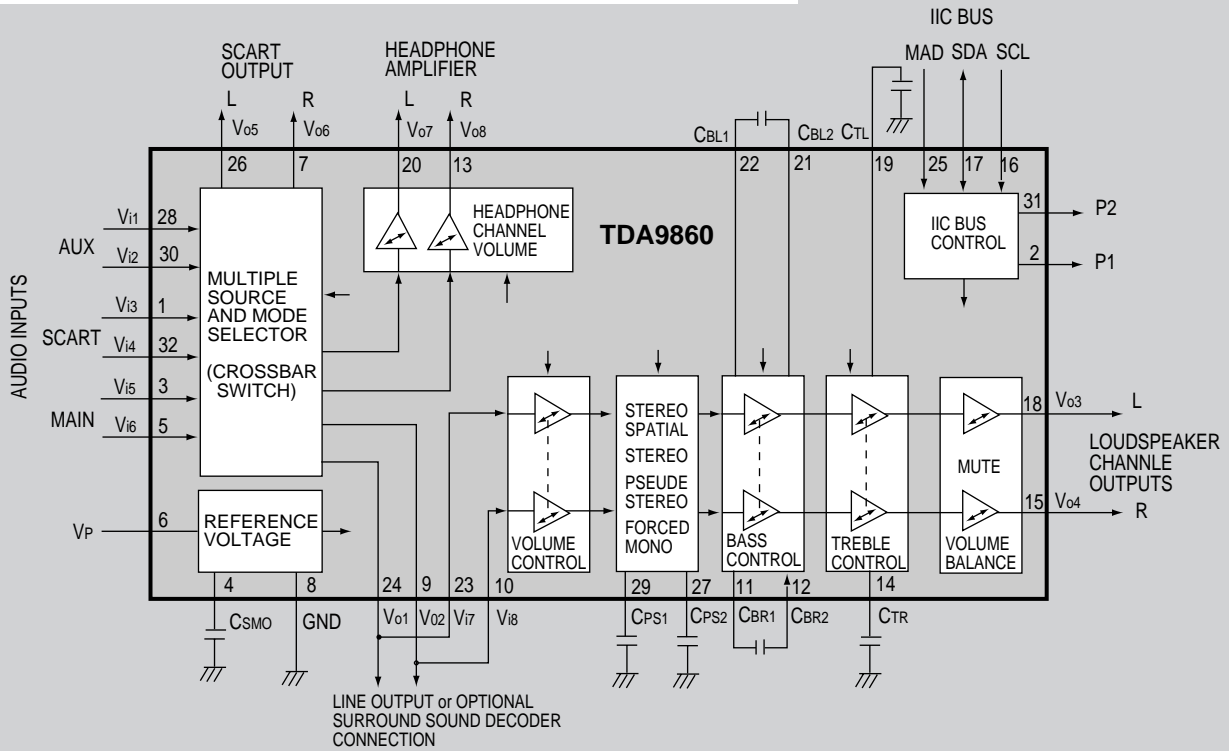
### TDA2545A <SIF DEMODULATOR>



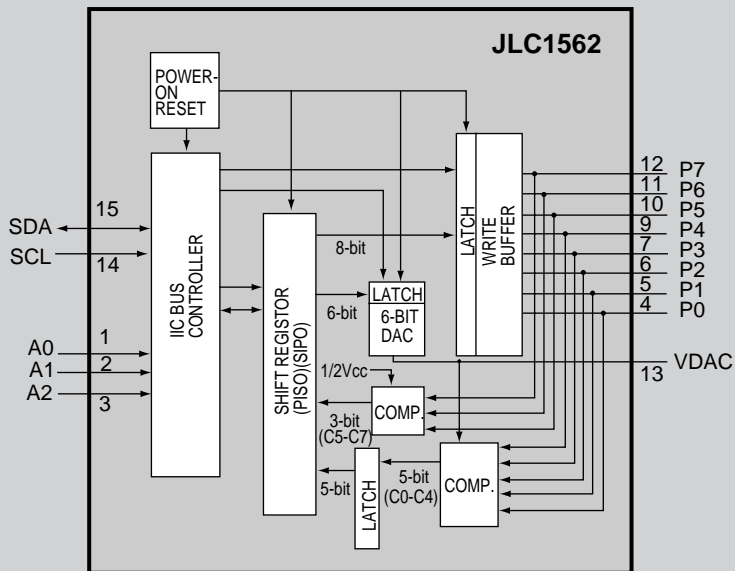
### TDA9821 <DUAL CHANNEL SOUND DEMODULATOR>



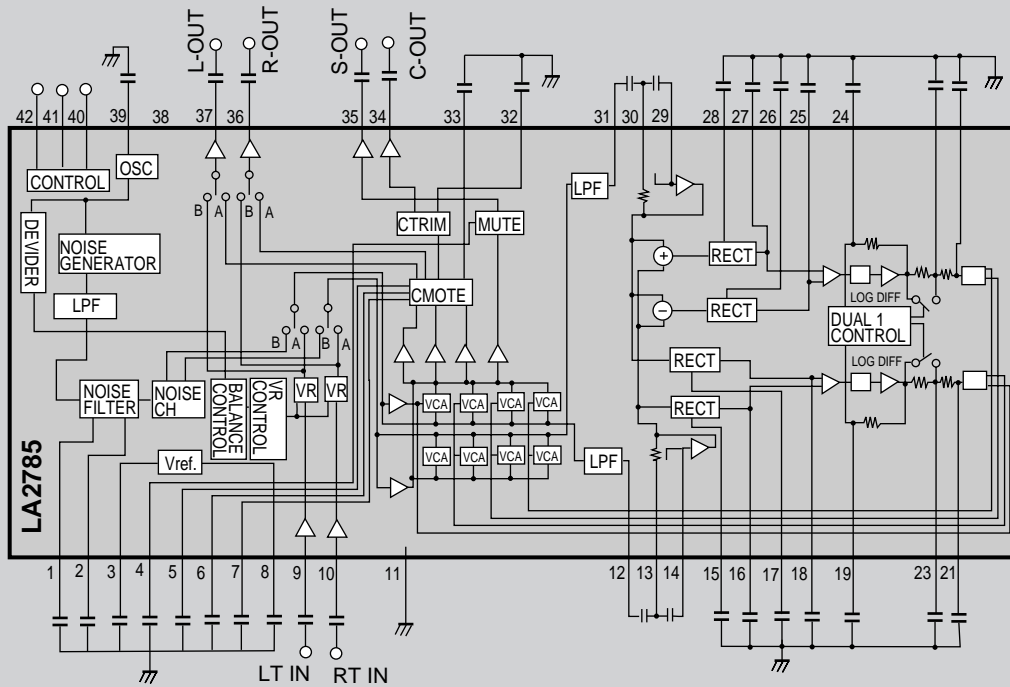
## TDA9860 <UNIVERSAL HI-FI AUDIO PROCESSOR>



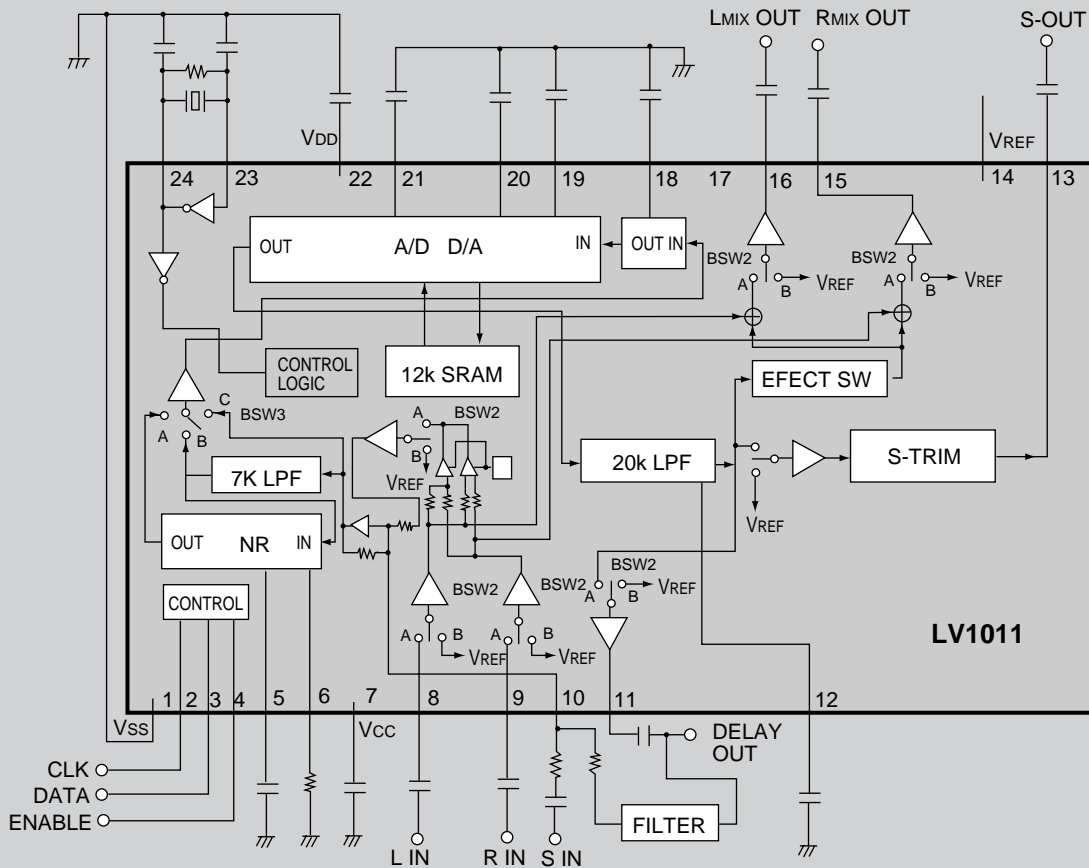
## JLC1562 <I<sup>2</sup>C BUS I/O EXPANDER>



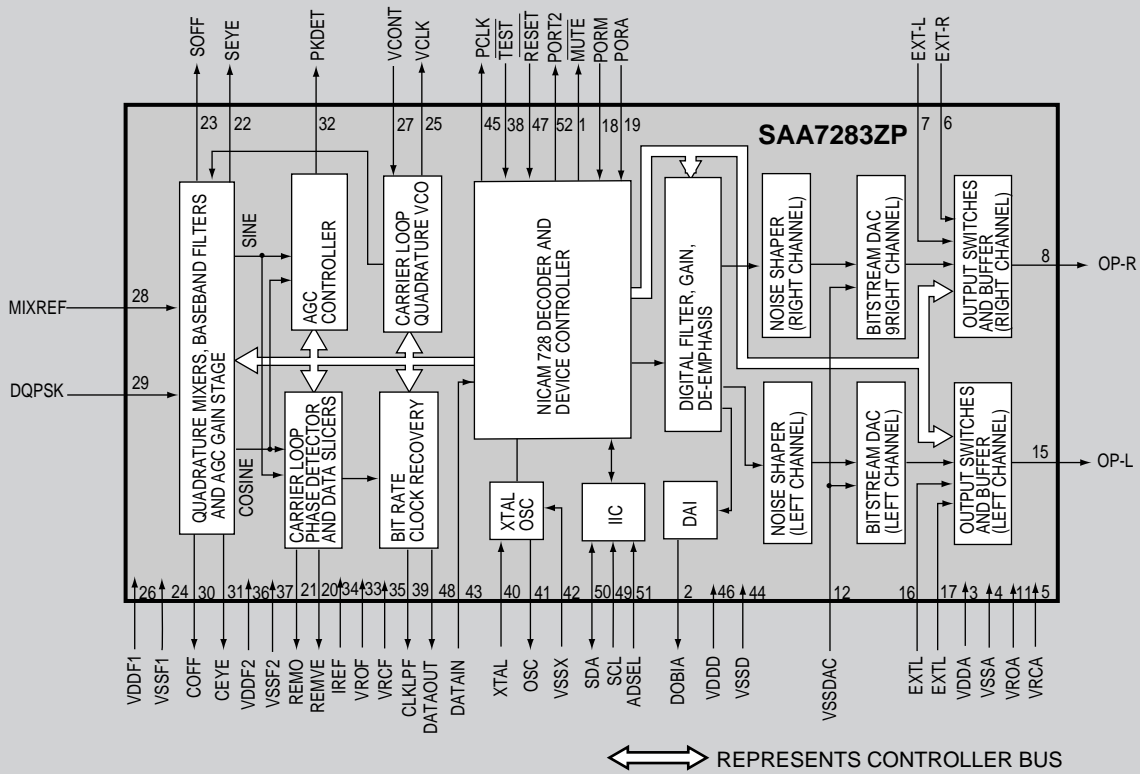
**LA2785 <DOLBY PRO LOGIC SURROUND MATRIX DECODER>**



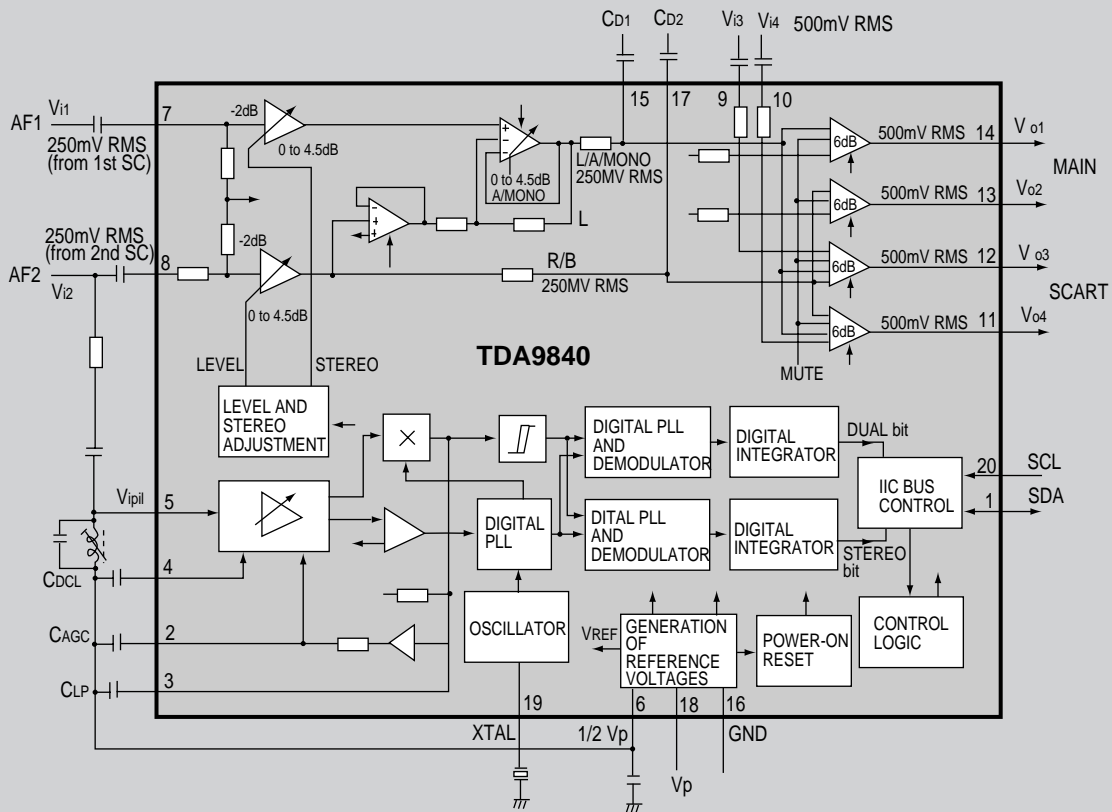
**LV1011 <DOLBY SURROUND PASSIVE DECODER>**



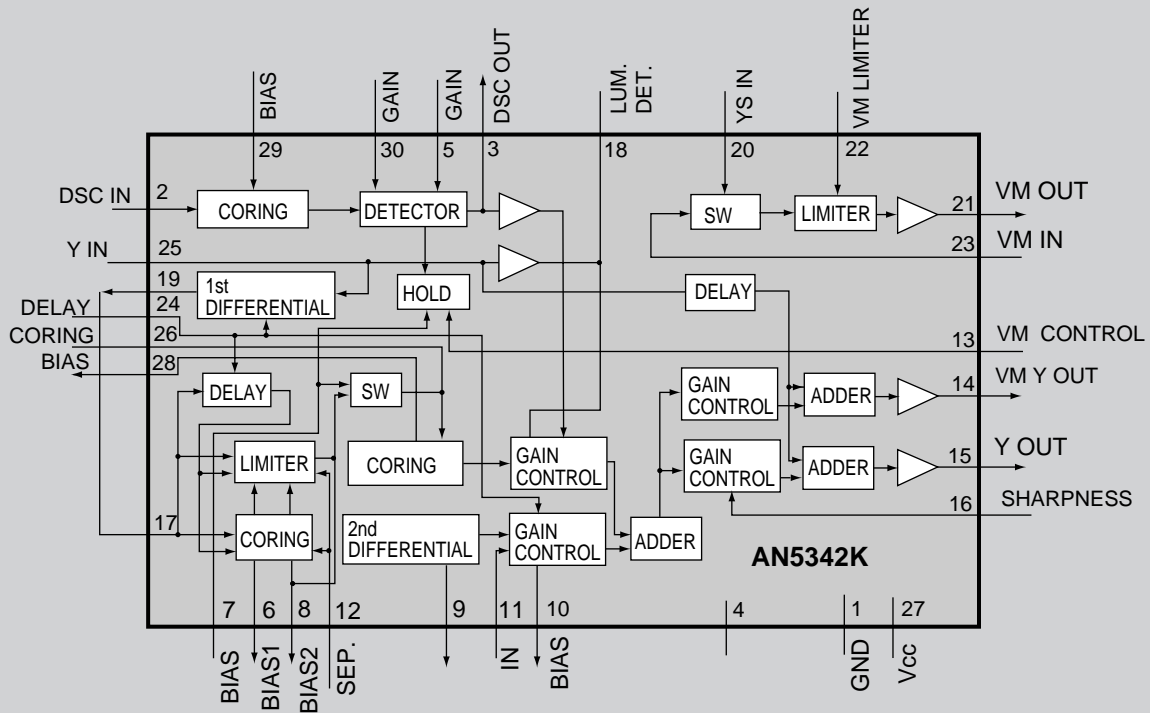
### SAA7283ZP <NICAM DECODER>



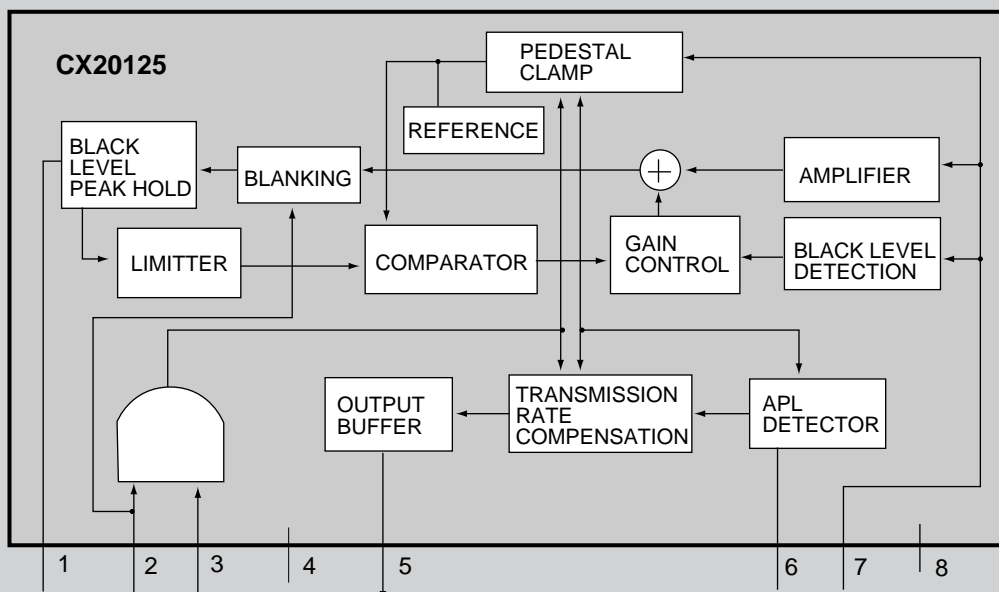
### TDA9840 <STEREO/DUAL SOUND PROCESSOR>



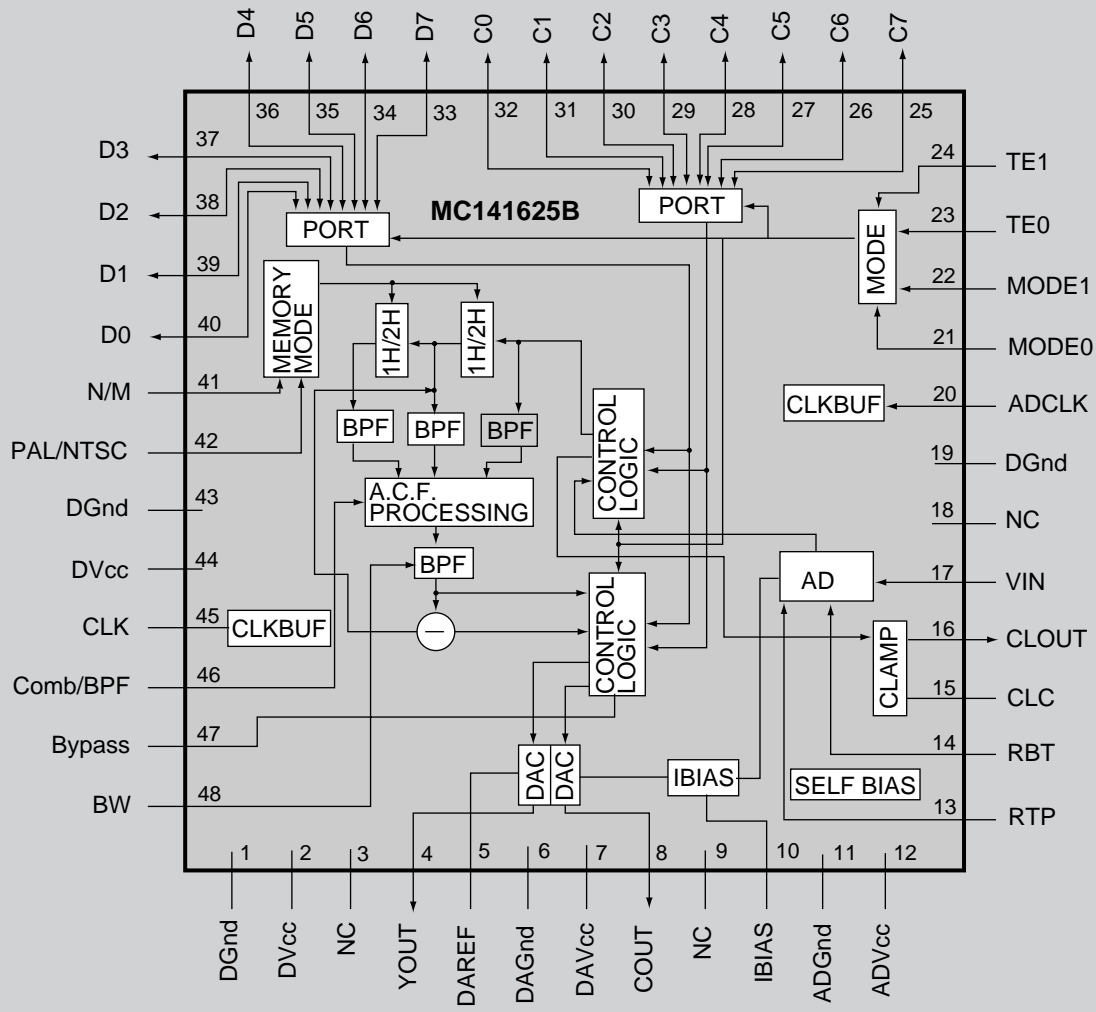
**AN5342K <VIDEO APERTURE COMPENSATOR>**



**CX20125 <DYNAMIC PICTURE CONTROLLER>**

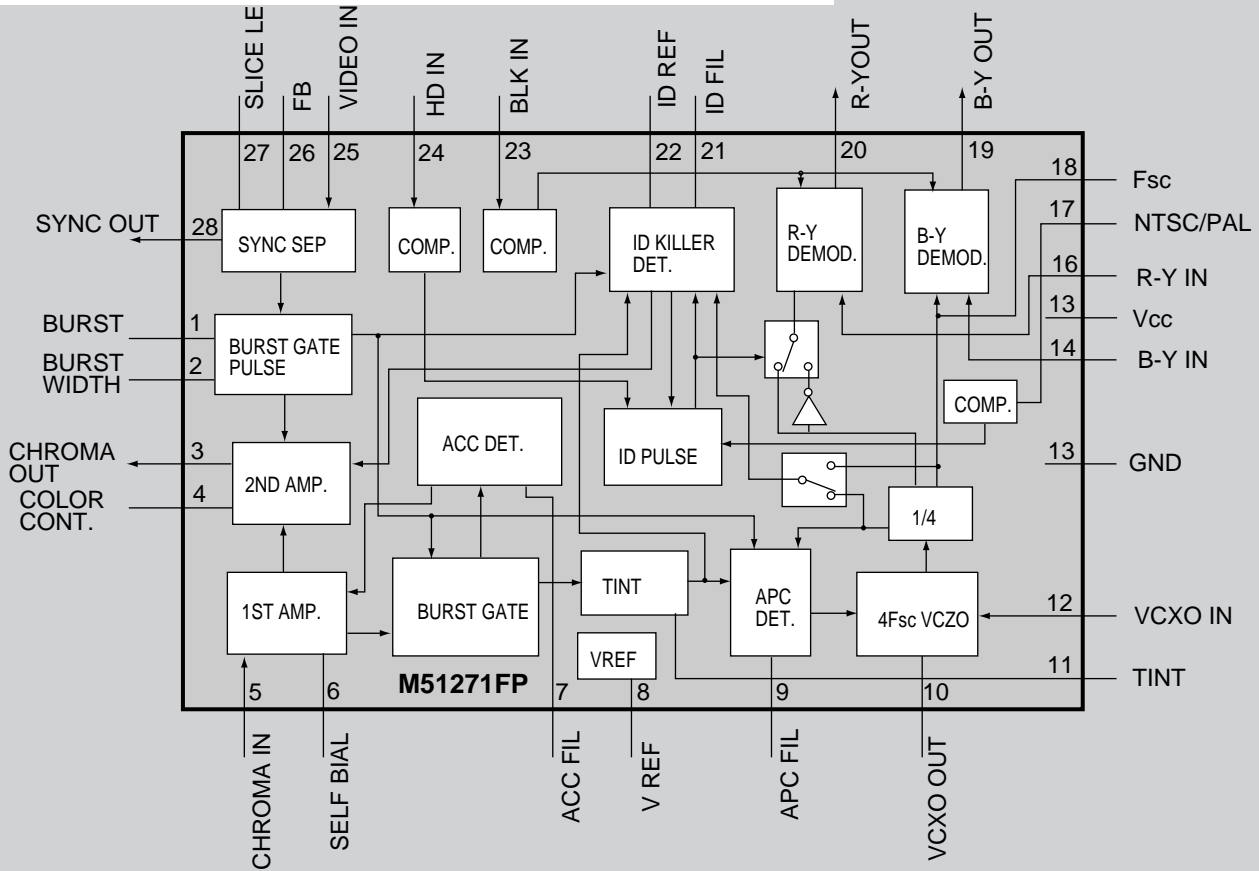


**MC141625B <PAL COMB FILTER>**

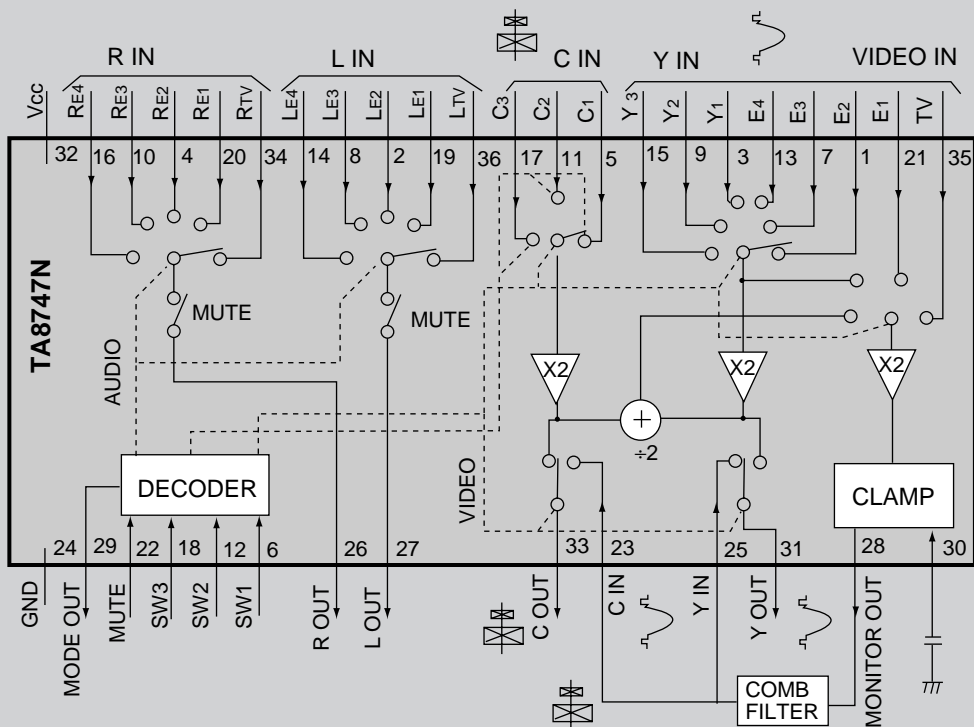




**M51271FP <NTSC/PAL CHROMA DEMODULATOR>**

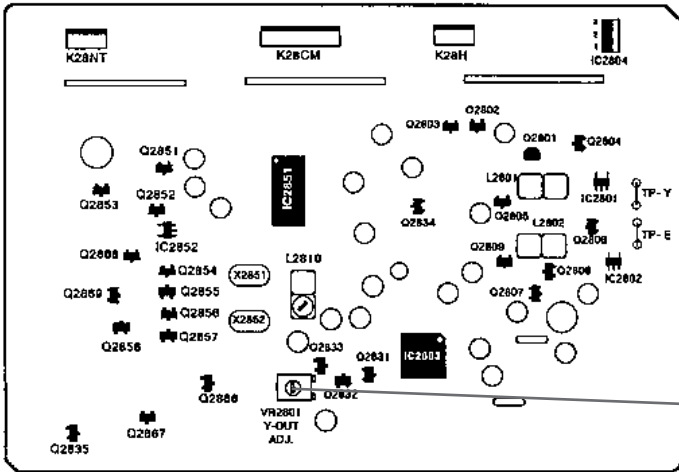


**TA8747N <AV SELECTOR>**



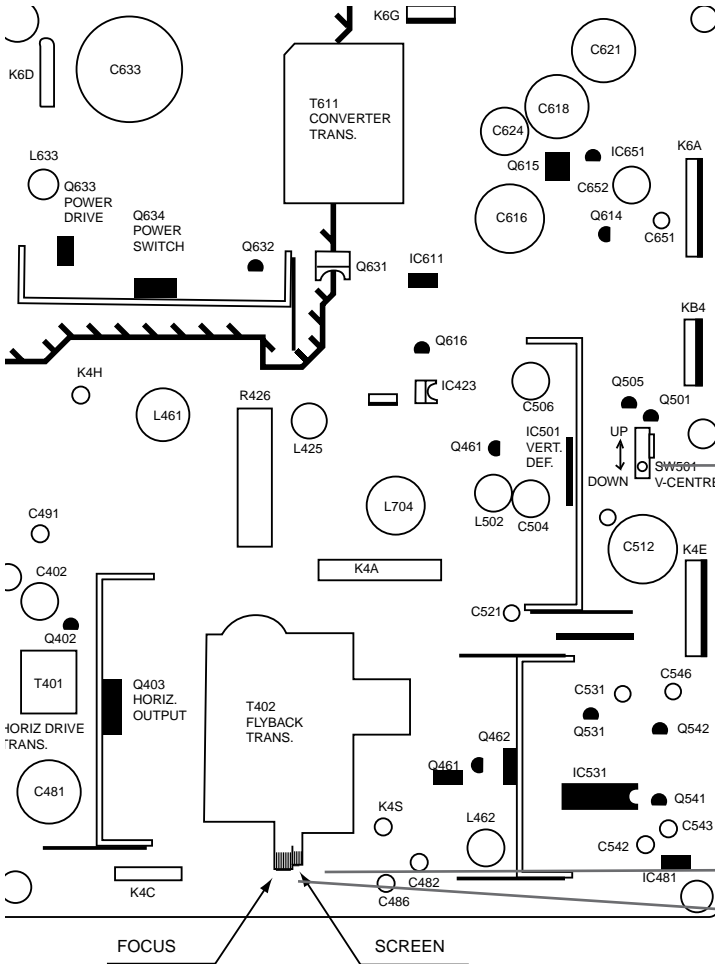


### 3-Lines Y/C Separation Board



Y-out Adjustment

### Power & Deflection Board

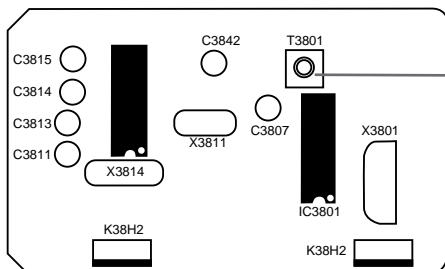


V-Centre Adjustment

Grey Scale Adjustment

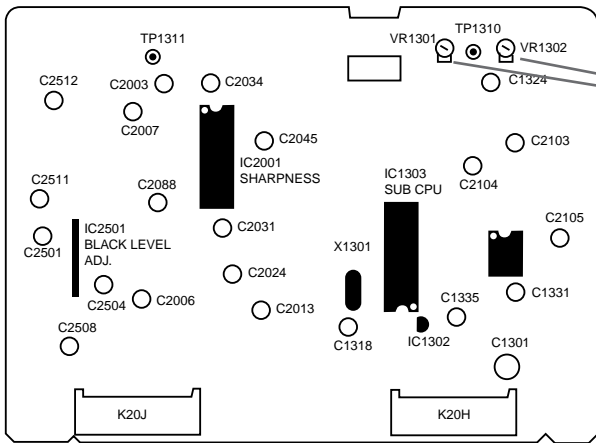
Focus Adjustment

### SIF Board



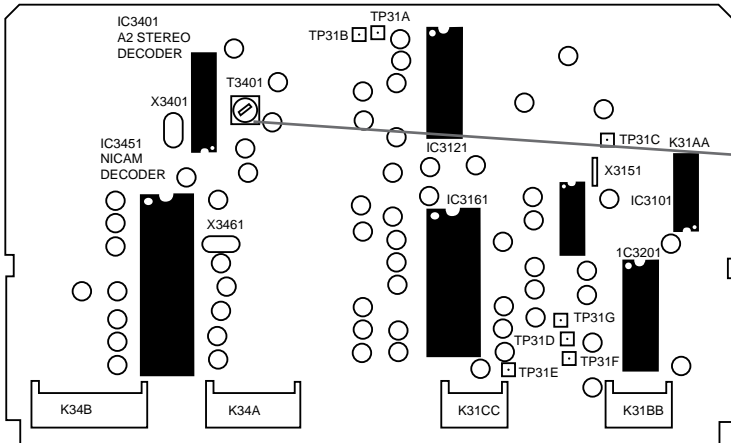
SIF Alignment

### Sub Video Board



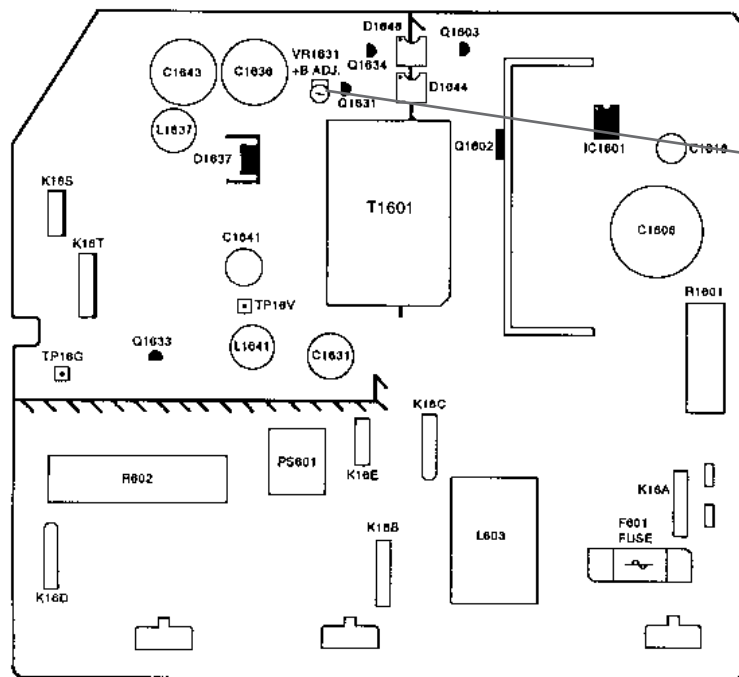
H-Blanking Adjustment

### NICAM & Stereo Board



Pilot Alignment  
Required only model C28WP1

### Sub Power Board

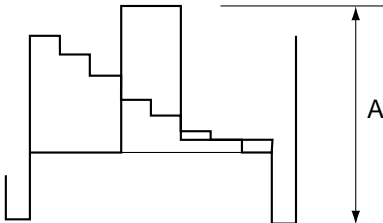


Dolby +B Adjustment

# SERVICE CONTROL ADJUSTMENTS

## Y-out ADJUSTMENT

1. Receive PAL colour bar pattern signal.
2. Connect a oscilloscope to "TP-Y"(+) and "TP-E"(-).
3. By using VR2801, adjust amplitude "A" to be  $2.0 \pm 0.05V$ .



## AFT ADJUSTMENT

1. Receive the clearest station.
2. By using T121 (T141 is shown on top of the shield case), adjust AFT to obtain the best picture.

## AGC ADJUSTMENT

**NOTE: Do not attempt this adjustment with weak signal.**

1. Receive the clearest station.
2. Set AGC VR(VR120) (VR131 is shown on top of the shield case) in direction which causes snow noise to appear, then in the opposite direction until snow noise just disappears.

## GREY SCALE ADJUSTMENT

### [SCREEN VR ADJUSTMENT]

1. Receive white pattern signal.
2. Set brightness and contrast controls to maximum.
3. Set VR761 and VR781 to be mechanical centre.
4. Turn VR762, VR772 and VR782 fully counter-clockwise.
5. Turn SW220 to "SERVICE" mode.
6. Set screen VR for one colour to be just visible.

### [BIAS VR ADJUSTMENT]

7. By using VR762, VR772 or VR782, adjust line to be white.

8. Turn SW220 to "NORMAL" mode.

### [DRIVE VR ADJUSTMENT]

9. By using VR761 and VR781, adjust white balance.

## HIGH VOLTAGE CONFIRMATION

### [HIGH VOLTAGE ADJUSTMENT]

1. Receive circular pattern signal.
2. Set brightness to centre and contrast to maximum.
3. Connect a high voltage meter to CRT anode.
4. Confirm high voltage to be  $30.5 \pm 1 KV$ , and less than 34.0KV at 0 beam current.

## H-CENTRE ADJUSTMENT

1. Receive circular pattern signal.
2. Adjust H-centre by using VR371 (VR361 is shown on top of the shield case).

## V-CENTRE ADJUSTMENT

1. Receive circular pattern signal.
2. Adjust V-centre by using SW501.

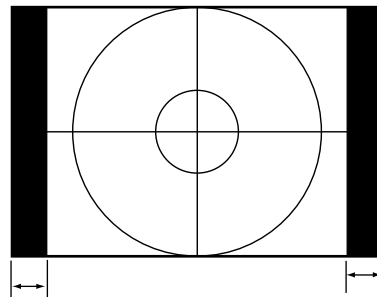
## FOCUS ADJUSTMENT

By using FOCUS VR, adjust focus control for well scanning lines.

## H-BLANKING ADJUSTMENT

**NOTE: This must be done after picture size adjustment.**

1. Receive circular pattern signal.
2. Set screen mode to NORMAL.
3. Adjust right and left blanking width to be equal by using VR1301(right) and VR1302(left).



## DOLBY +B ADJUSTMENT

1. Connect a volt-meter to "TP-16V"(+) and "TP-16G"(-)
2. Adjust voltage to  $12.0 \pm 0.1V$  by using VR1631

# CIRCUIT ALIGNMENTS

## VIF ALIGNMENT

SETTING		Adjustment	Waveform
DC 12.0V AGC voltage (4.3-4.5V) Output probe  Input probe DC5.0V Marker frequency Sweep ATT 0dB=176mVrms/75 Tool A	K3A-pin5 IC101-pin48 IC101-pin45 (Side b) IC101-pin7 KOC-pin8 38.9MHz 20dB  IC101-pin46 and GND	By using T121(T141 is shown on top of the shield case), adjust "P" to be maximum amplitude.	

## SIF ALIGNMENT

SETTING		Adjustment	Waveform
DC 12V AGC voltage Output probe  Input probe Sweep ATT Marker Frequency	IC3801-pin11 IC3801-pin3 IC3801-pin1 (Side b) IC3801-pin12 10dB 38.9MHz	1. Adjust AGC voltage to be "A" = 0.5Vp-p. 2. By using T3801, adjust "P" to be equal centre line.	

## PILOT ALIGNMENT

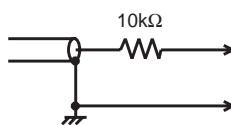
Required only model C28WP1

SETTING		Adjustment	Waveform
Oscilloscope Input sound signal source TV system Deviation Mode	IC3401-pin5  System B/G 27kHz Stereo	By using T3401, adjust amplitude to be maximum.	

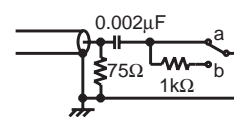
### Tools

#### Marker frequency

38.9MHz --> C28WP1/C28WP1B/WP1E



Input probe



Output probe



Tool A: 0.01uF

## ADJUSTMENTS IN THE SERVICE MODE

Since some chassis circuit adjustments are controlled by the CPU built into the chassis, adjustments can now be made by inputting data directly via the remote control handset supplied with the set.

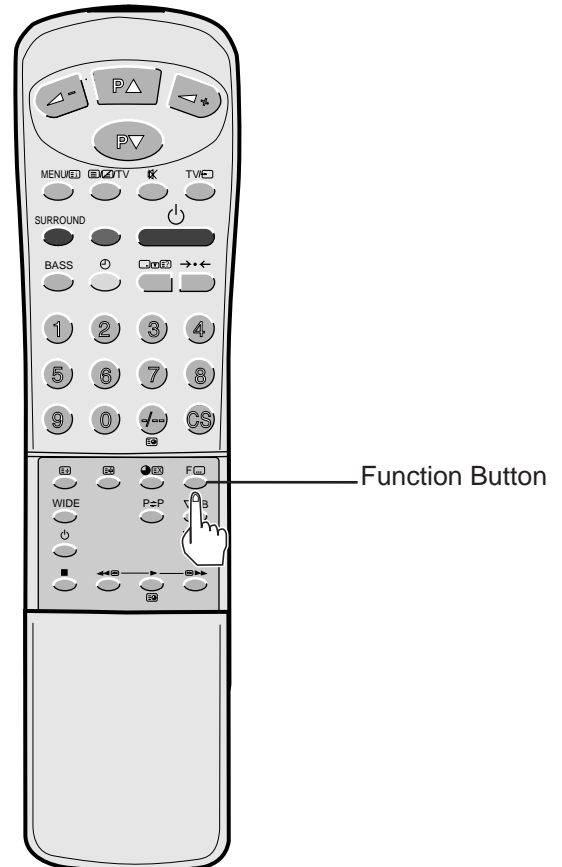
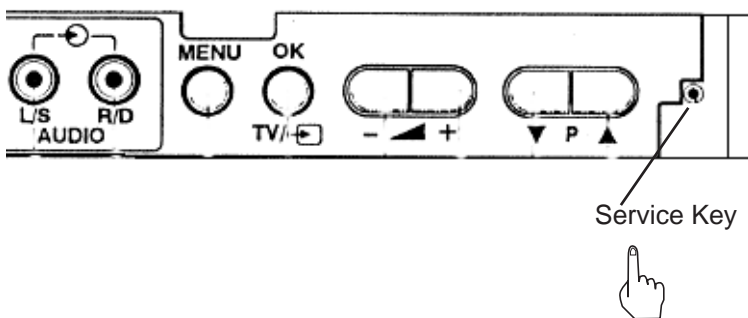
### Memory IC replacement

Since adjustment data for the circuit is stored in the memory IC (IC802) that comes with the CPU, the adjustment data must be re-input when the memory IC is replaced.

(After memory IC replaced, reference data is initially written automatically to memory from the CPU ROM for basic set operation.)

### 1. Setting of the service mode.

To enter service mode, press and hold the **SERVICE** key on the front control panel, then press the **Function** button on the remote control handset.

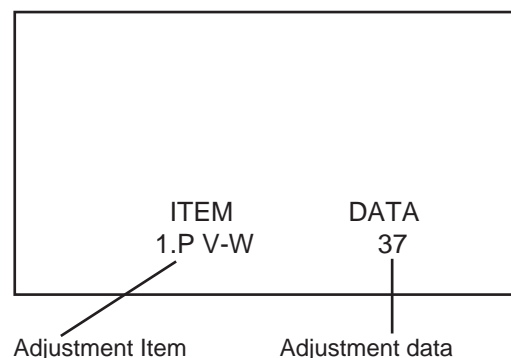


### 2. Screen display of the service mode.

- Adjustment items can be selected by pressing the **Prog. up/down** button on the remote control handset.
- Adjustment data can be set by pressing **Level up/down** button on the remote control handset.

### 3. To exit from the service mode.

To exit from the service mode, turn off the TV set by pressing the **power on/off** button on the TV set or remote control handset.



The adjustments in the service mode are listed below table.

The data in each adjustment item is set with the best setting value in the CPU ROM as initial data.

As the shaded adjustment items are adjusted for each TV set individually, it may slightly differ to the initial data.

When the memory IC is replaced, these adjustments should be readjusted according to service mode adjustments described next page.

Item	Adjustment	Screen Mode	Initial Data	Range of Data	Remarks
1.P V-W	V-Size	50Hz FULL	37	00~127	
2.P V-L	V-linearity	50Hz FULL	16	00~31	
3.P V-S	V-S Correction	50Hz FULL	00	00~31	
4.P VSB	V-Correction	50Hz FULL	00	00~15	
5.P H-W	H-Width	50Hz FULL	24	00~63	
6.P PCC	Pincushion	50Hz FULL	36	00~63	
7.P C-P	Corner Comp.	50Hz FULL	00	00~15	
8.P PHA	Keystone Correction	50Hz FULL	30	00~63	
9.P HCO	H-Correction	50Hz FULL	15	00~15	
10.P VGM	V-J Correction	50Hz FULL	00	00~15	
11.P H-W	H-Width	50Hz NORMAL	+26	+63	
12.P PCC	Pincushion	50Hz NORMAL	-02	+63	
13.P V-W	V-Size	50Hz PITTARI	+06	±127	
14.P V-S	V-S Correction	50Hz PITTARI	00	+31	
15.P H-W	H-Width	50Hz PITTARI	+18	+63	
16.P PCC	Pincushion	50Hz PITTARI	+04	+63	
17.P V-W	V-Size	50Hz ZOOM	+26	±127	
18.P PCC	Pincushion	50Hz ZOOM	+21	+63	
19.P V-W	V-Size	50Hz TITLE IN	-13	±127	
20.P PCC	Pincushion	50Hz TITLE IN	+09	+63	
21.P PHA	Keystone Correction	50Hz TITLE IN	-30	+63	
22.N V-W	V-Size	60Hz FULL	00	±127	
23.N V-L	V-linearity	60Hz FULL	00	+31	
24.N V-S	V-S Correction	60Hz FULL	00	+31	
25.N VSB	V-Correction	60Hz FULL	00	±15	
26.N H-W	H-Width	60Hz FULL	00	+63	
27.N PCC	Pincushion	60Hz FULL	00	+63	
28.N C-P	Corner Comp.	60Hz FULL	00	±15	
29.N PHA	Keystone Correction	60Hz FULL	00	+63	
30.N HCO	H-Correction	60Hz FULL	00	±15	
31.N VGM	V-J Correction	60Hz FULL	00	±15	
32.N H-W	H-Width	60Hz NORMAL	00	+63	
33.N PCC	Pincushion	60Hz NORMAL	00	+63	
34.N V-W	V-Size	60Hz PITTARI	00	±127	
35.N V-S	V-S Correction	60Hz PITTARI	00	+31	
36.N H-W	H-Width	60Hz PITTARI	00	+63	
37.N PCC	Pincushion	60Hz PITTARI	00	+63	
38.N V-W	V-Size	60Hz ZOOM	00	±127	
39.N PCC	Pincushion	60Hz ZOOM	00	+63	
40.N V-W	V-Size	60Hz TITLE IN	00	±127	
41.N PCC	Pincushion	60Hz TITLE IN	00	+63	
42.N PHA	Keystone Correction	60Hz TITLE IN	00	+63	
43.WHT	Ident.time for Screen mode		15	00~31	
44.WHG	Tore lance of Ident. screen		+03	±15	
45.WHS	Threshold level		07	00~15	
46.TIL	Ident time for Title mode		06	00~31	
47.WHR	Ident time for unstable		30	00~31	
48.P WDB	Ident value of picture start	50Hz	06	02~30	
49.P WDE	Ident value of blanking start	50Hz	57	21~58	
50.P WBP	V-blanking Start value	50Hz PITTARI	72	00~75	
51.P WBP	V-blanking end value	50Hz PITTARI	12	00~75	
52.P WBZ	V-blanking Start value	50Hz ZOOM	61	00~75	
53.P WBZ	V-blanking end value	50Hz ZOOM	23	00~75	
54.P WBT	V-blanking start value	50Hz TITLE IN	74	00~75	
55.P WBT	V-blanking end value	50Hz TITLE IN	23	00~75	
56.N WDB	Ident value of picture start	60Hz	12	09~30	
57.N WDE	Ident value of blanking start	60Hz	30	04~34	
58.N WBP	V-blanking Start value	60Hz PITTARI	61	00~63	
59.N WBP	V-blanking end value	60Hz PITTARI	09	00~63	
60.N WBZ	V-blanking Start value	60Hz ZOOM	53	00~63	
61.N WBZ	V-blanking end value	60Hz ZOOM	18	00~63	
62.N WBT	V-blanking start value	60Hz TITLE IN	61	00~63	
63.N WBT	V-blanking end value	60Hz TITLE IN	18	00~63	
64.WCR	Contrast comp. value	ZOOM/TITLE IN	05	00~31	
65.MAX	NICAM MAX		195	00~255	
66.MIN	NICAM MIN		160	00~255	
67.ATT	NICAM ATT to equalise sound level FM/NICAM		04	00~12	
68.K1	A2 STEREO K1 for stereo separation		+03	-04~+05	
69.K2	A2 STEREO K2 for stereo separation		+10	-24~+25	
70.STID	A2 STEREO ident speed		00	00~02	
71.OSC	Position of screen display		14	00~31	
72.TXT	Maximum contrast value in the teletext		44	00~63	



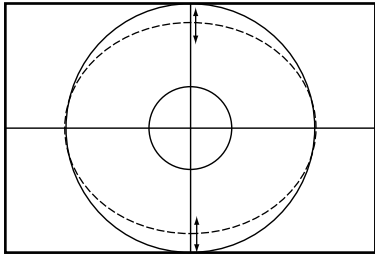
---

---

## Service mode adjustments

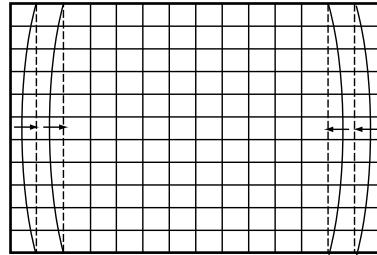
### V-SIZE ADJUSTMENT

1. Receive circular pattern signal.
2. Set the TV to the service mode.
3. Select service item " 1.P V-W" by pressing the program + or - button.
4. Adjust vertical size by pressing the level + or - button.



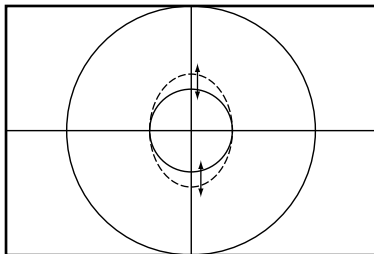
### PINCUSHION ADJUSTMENT

1. Receive cross hatch pattern signal.
2. Set the TV to the service mode.
3. Select service item " 6.P PCC" by pressing the program + or - button.
4. Adjust so that the vertical lines straight by pressing the level + or - button.



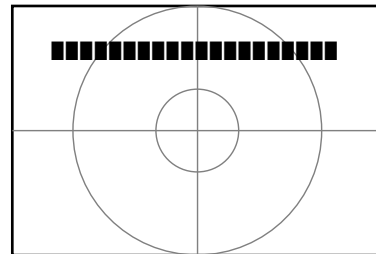
### V-LINEARITY ADJUSTMENT

1. Receive circular pattern signal.
2. Set the TV to the service mode.
3. Select service item " 2.P V-L" by pressing the program + or - button.
4. Adjust vertical linearity by pressing the level + or - button.



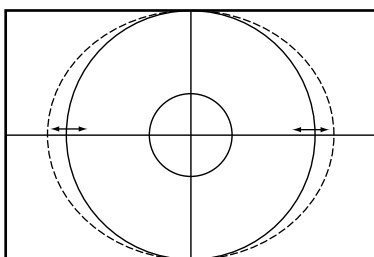
### POSITION OF SCREEN DISPLAY

1. Set the TV to the service mode.
2. Select service item " 72.OSD" by pressing the program + or - button.
3. Adjust the position of screen display by pressing the level + or - button.

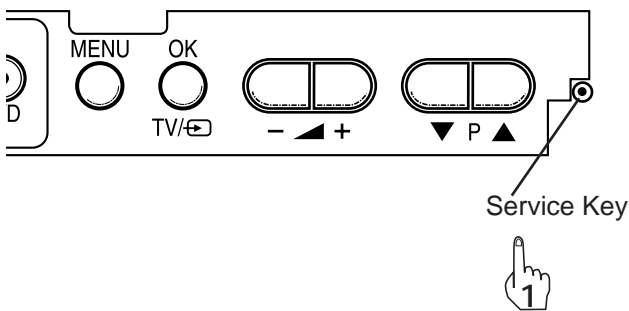
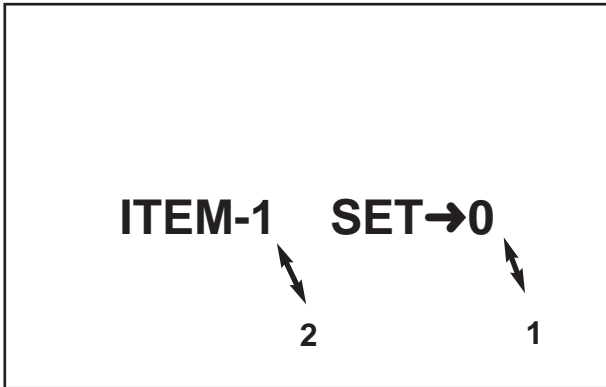


### H-WIDTH ADJUSTMENT

1. Receive circular pattern signal.
2. Set the TV to the service mode.
3. Select service item " 5.P H-W" by pressing the program + or - button.
4. Adjust horizontal width by pressing the level + or - button.



## SPECIAL FUNCTIONS



This TV set allows you to set up the following special functions.

### ■ Prohibition of presetting

#### ITEM-1

Sets the prohibition of presetting and CS key entry.

SET→ 0	NO
SET→ 1	YES

### ■ Start up programme position

#### ITEM-2

Presets the programme position when the set is switched on.

SET→ 0	Last programme position start
SET→ 1	"AV1" start

### ■ Auto/tuner sort mode (for C28WP1B/ C28WP1E)

#### ITEM-3

Presets the programme position when the set is switched on.

SET→ 0	Auto Tune/Sort for U.K. channels.
SET→ 1	Auto Tune/Sort for Irish channels.

U.K. Channels	Irish Channels
Programme position 1 : BBC1	Programme position 1 : IR1
Programme position 2 : BBC2	Programme position 2 : IR2
Programme position 3 : ITV	Programme position 3 : BBC1
Programme position 4 : CH4	Programme position 4 : BBC2
Programme position 5 : CH5	Programme position 5 : ITV
Programme position 6 : SKY	Programme position 6 : CH4
	Programme position 7 : CH5
	Programme position 8 : SKY

### SETTING PROCEDURE

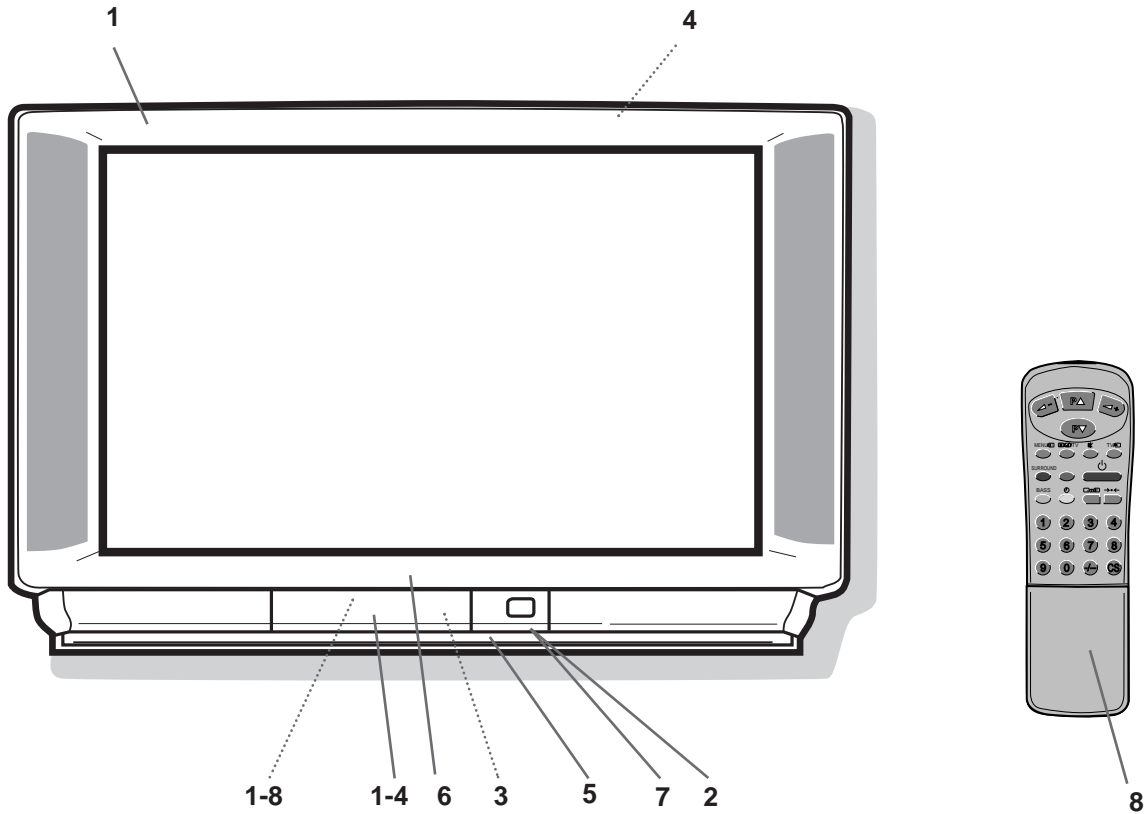
- 1 Press and hold the **SERVICE** Key on the on the front control panel, the press the **Recall** button on the remote control handset.
- 2 To select the "ITEM" number, press the **Programme up/down** button on the remote control handset.
- 3 To select the "SET" number,press the **Level up/down** button repeatedly.
- 4 To return to the normal TV mode, press the **Recall** button.

- The setting conditions of all items can be confirmed.
- Special functions are not cancelled if the TV set is switched off or the mains disconnected.

# Service Ref. No. C28WP1-00/ C28WP1B-00/C28WP1E-00

## CABINET PARTS LIST

Note: Parts order must contain Service Ref. No., Part No., and descriptions.



Part No.	Description	Part No.	Description
<b>CABINET PARTS</b>		<b>CHASSIS PARTS</b>	
1	610 262 8425 ASSY,CABINET FR A-F2JE	610 262 8470	DEC REAR SHEET-F2JE
1-1	610 264 4128 ASSY,HANDLE R-F2JE	610 253 1640	HOLDER CHASSIS-S6TF
	610 264 4142 HANDLE COVER-F2JE	610 253 3552	HOLDER PCB C-S6TF
	610 257 2872 HANDLE R-S5WL	610 257 4951	HOLDER PCB A-S6VB
1-2	610 264 4135 ASSY,HANDLE L-F2JE	610 257 2957	HOLDER CORD-S6WA
	610 264 4142 HANDLE COVER-F2JE	610 263 2736	HOLDER CORD-E7WMC
	610 257 2889 HANDLE L-S5WL	610 262 4250	TERMINAL BASE-F2JE
1-3	610 263 9575 CABINET FRONT-F2J	610 133 2354	FIXER PURSE LOCK,D11.5(PA
1-4	610 262 8432 DOOR-F2JE	610 129 7875	FIXER HOOK,D11.5(PA)
1-5	610 264 4159 DEC R-F2JE	610 124 6880	FIXER HOOK,12X19.5(PA)
1-6	610 264 4166 DEC L-F2JE	610 243 2602	PCB MTG BASE-A-S6TB-D
1-7	610 259 1613 SPACER SHEET B-S5WL		
1-8	645 006 2919 LATCH PUSH	<b>ACCESSORIES</b>	
2	610 257 2827 BUTTON POWER-S5WL	8	SXMR RC TRANSMITTER
3	610 257 2834 BUTTON UNITED-S5WL		
4	610 262 8463 CABINET BACK-F2JE	645 020 7488	SPEAKER, 4 OHMS, CENTRE
5	610 262 8449 DEC INLAY-F2JE	645 020 7495	SPEAKER, 8 OHMS, REAR(1P)
	610 264 2247 DEC SHEET A-F2JE		
	610 253 3538 RUBBER PAD-S6TF		
	610 259 1453 SPACER SHEET-S5WL		
	610 133 2354 FIXER PURSE LOCK,D11.5(PA		
	610 102 7151 DC HOLDER-HBZ		
6	610 223 9751 SANYO BADGE-S6LB		
	610 212 8925 CUSHION SHEET-S4KC-A		
	610 226 1240 CHASSIS RAIL R-S4VE		
	610 226 1257 CHASSIS RAIL L-S4VE		
7	610 240 7839 SPRING-S6KL		

# CHASSIS ELECTRICAL PARTS LIST

Product safety should be considered when a component replacement is made in any area of a receiver. Components indicated by a **△** mark in this parts list and the circuit diagram show components whose value have special significance to product safety. It is particularly recommended that only parts specified on the following parts list be used for components replacement pointed out by the mark.

Note: Parts order must contain Service Ref. No., Part No., and descriptions.

Ref. No.	Part No.	Description	Ref. No.	Part No.	Description
<p>Read description in the Capacitor and Resistor as follows:</p> <p><b>CAPACITOR</b></p> <p><b>CERAMIC 100P K 50V</b></p> <p style="margin-left: 100px;">Rated Voltage</p> <p style="margin-left: 100px;">Tolerance Symbols:</p> <p style="margin-left: 100px;">Less than 10PF</p> <p style="margin-left: 100px;">A: Not specified B: ±0.1PF C: ±0.25PF</p> <p style="margin-left: 100px;">D: ±0.5PF F: ±1PF G: ±2PF</p> <p style="margin-left: 100px;">R: ±0.25-0PF S: ±0-0.25PF E: +0-1PF</p> <p style="margin-left: 100px;">More than 10PF</p> <p style="margin-left: 100px;">A: Not specified B: ±0.1% C: ±0.25%</p> <p style="margin-left: 100px;">D: ±0.5% F: ±1% G: ±2%</p> <p style="margin-left: 100px;">H: ±3% J: ±5% K: ±10%</p> <p style="margin-left: 100px;">L: ±15% M: ±20% N: ±30%</p> <p style="margin-left: 100px;">P: +100-0% Q: +30-10% T: +50-10%</p> <p style="margin-left: 100px;">U: +75-10% V: +20-10% W: +100-10%</p> <p style="margin-left: 100px;">X: +40-20% Y: +150-10% Z: +80-20%</p> <p style="margin-left: 100px;">Rated value: P=pico farad, U=Micro farad</p> <p>Material:</p> <p>CERAMIC..... Ceramic</p> <p>MT-PAPER..... Metallized Paper</p> <p>POLYESTER..... Polyester</p> <p>MT-POLYEST.... Metallized Polyester</p> <p>POLYPRO..... Polypropylene</p> <p>MT-POLYPRO.... Metallized Polypropylene</p> <p>COMPO FILM.... Composite film</p> <p>MT-COMPO..... Metallized Composite</p> <p>STYRENE..... Styrene</p> <p>TA-SOLID..... Tantalum Solid</p> <p>AL-SOLID..... Aluminium Solid</p> <p>ELECT..... Electrolytic</p> <p>NP-ELECT..... Non-polarized Electrolytic</p> <p>OS-SOLID..... Aluminium Solid with Organic Semiconductive Electrolytic</p> <p>DL-ELECT..... Doble Layered Electrolytic</p>			<p><b>Chassis Construction:</b></p> <p><b>Model :C28WP1</b></p> <p><b>Service Ref. No. C28WP1-00</b></p> <p>1AA0B10E188A0 ASSY,PWB,CRT F2JE</p> <p>1AA0B10E27600 ASSY,PWB,FRONT F2JE</p> <p>1AA0B10E27700 ASSY,PWB,SUB POW. F2JE</p> <p>1AA0B10E27800 ASSY,PWB,POW/DEF. F2JE</p> <p>1AA0N10E27900 ASSY,PWB,MAIN F2JE</p> <p>1AA0B10E28000 ASSY,PWB,VIDEO COM F2JE</p> <p>1AA0B10E28100 ASSY,PWB,AUDIO COMP F2JE</p> <p>1AA0B10E28200 ASSY,PWB,MEGA TEXT F2JE</p> <p>1AA0B10E29500 ASSY,PWB,3L-Y SEP. F2JE</p> <p><b>Parts List for C28WP1B-00 and C28WP1E-00 are shown on page 47.</b></p> <p><b>SERVICE REF. No. C28WP1-00</b></p> <p><b>OUT OF CIRCUIT BOARD</b></p> <p><b>PICTURE TUBE</b></p> <p>△Q901 414 008 2407 CRT W66LFC195X</p> <p><b>COIL</b></p> <p>△L901 645 008 6953 COIL,DEGAUSSING</p> <p>△L902 645 006 4470 YOKE,DEFLECTION</p> <p><b>MISCELLANEOUS</b></p> <p>A901 645 002 9523 MAGNET,CG.PR</p> <p>645 003 0000 MAGNET,CG.PR</p> <p>645 019 2586 MAGNET,CG.PR</p> <p>SP901 645 011 1358 ASSY,SPEAKER</p> <p>SP902 645 011 1358 ASSY,SPEAKER</p> <p>W0C19G 645 019 2845 CORD,ID CONNECTOR</p> <p>W0E0M 645 019 2838 CORD,ID CONNECTOR</p> <p>W2V17P 645 007 7784 CORD,ID CONNECTOR</p> <p>W33M0B 645 004 8449 CORD,ID CONNECTOR</p> <p>W4T28H 645 004 8425 CORD,ID CONNECTOR</p> <p>W6G19M 645 012 7953 CORD,ID CONNECTOR</p> <p>△W901 645 012 7632 ASSY,CORD,POWER</p> <p>W902 610 250 3142 ASSY WIRE,GND CONECTOR S4</p> <p>W902A 610 079 4085 GROUNDING SPRING-F</p> <p>W902B 610 079 4085 GROUNDING SPRING-F</p>		
<p><b>RESISTOR</b></p> <p><b>CARBON 4.7K J A 1/4W</b></p> <p style="margin-left: 100px;">Rated Wattage</p> <p style="margin-left: 100px;">Performance Symbols:</p> <p style="margin-left: 100px;">A: General B: Non flammable Z: Low noise</p> <p style="margin-left: 100px;">Other: Temperature coefficient</p> <p style="margin-left: 100px;">Tolerance Symbols:</p> <p style="margin-left: 100px;">A: ±0.05% B: ±0.1% C: ±0.25% D: ±0.5%</p> <p style="margin-left: 100px;">F: ±1% G: ±2% J: ±5% K: ±10%</p> <p style="margin-left: 100px;">M: ±20% P: +5-15%</p> <p style="margin-left: 100px;">Rated value, ohms:</p> <p style="margin-left: 100px;">K: 1,000, M: 1,000,000</p> <p>Material:</p> <p>CARBON..... Carbon</p> <p>MT-FILM..... Metal Film</p> <p>OXIDE-MT..... Oxide Metal Film</p> <p>SOLID..... Composition</p> <p>MT-GLAZE..... Metal Glaze</p> <p>WIRE WOUND... Wire Wound</p> <p>CERAMIC RES.. Ceramic</p> <p>FUSIBLE RES.... Fusible</p>					

Ref. No.	Part No.	Description	Ref. No.	Part No.	Description
<b>610 261 9942 ASSY,PWB,CRT F2JE 1AA0B10E188A0</b>					
<b>TRANSISTOR</b>					
Q1701	406 000 6804	TR 2SA1015-GR(SAN)		405 011 8500	TR 2SC1740S-R
	405 001 7407	TR 2SA1015-O(SAN)		405 011 8609	TR 2SC1740S-S
	405 001 7605	TR 2SA1015-Y(SAN)		405 012 2002	TR 2SC1815-GR
	405 004 3109	TR 2SA564A-Q(CU)		405 012 2101	TR 2SC1815-O
	405 004 3208	TR 2SA564A-R(CU)		405 012 2309	TR 2SC1815-Y
	405 004 4205	TR 2SA608-E-CTV-NP		405 019 1909	TR 2SC536-E-NP
	405 004 4809	TR 2SA608-F-CTV-NP		405 019 2708	TR 2SC536-F-NP
	405 006 1103	TR 2SA933-Q		405 019 3804	TR 2SC536-G-NP
	405 006 1202	TR 2SA933-R		405 020 7501	TR 2SC945A-PA
	405 006 1707	TR 2SA933S-Q		405 020 7709	TR 2SC945A-QA
	405 006 1806	TR 2SA933S-R		405 020 7907	TR 2SC945A-RA
Q1702	405 011 7305	TR 2SC1740-Q	Q1708	406 000 6804	TR 2SA1015-GR(SAN)
	405 011 7404	TR 2SC1740-R		405 001 7407	TR 2SA1015-O(SAN)
	405 011 7503	TR 2SC1740-S		405 001 7605	TR 2SA1015-Y(SAN)
	405 011 8401	TR 2SC1740S-Q		405 004 3109	TR 2SA564A-Q(CU)
	405 011 8500	TR 2SC1740S-R		405 004 3208	TR 2SA564A-R(CU)
	405 011 8609	TR 2SC1740S-S		405 004 4205	TR 2SA608-E-CTV-NP
	405 012 2002	TR 2SC1815-GR		405 004 4809	TR 2SA608-F-CTV-NP
	405 012 2101	TR 2SC1815-O		405 006 1103	TR 2SA933-Q
	405 012 2309	TR 2SC1815-Y		405 006 1202	TR 2SA933-R
	405 019 1909	TR 2SC536-E-NP		405 006 1707	TR 2SA933S-Q
	405 019 2708	TR 2SC536-F-NP		405 006 1806	TR 2SA933S-R
	405 019 3804	TR 2SC536-G-NP		405 006 1707	TR 2SA933S-Q
	405 020 7501	TR 2SC945A-PA	Q1709	405 108 4903	TR 2SA1837-LB
	405 020 7709	TR 2SC945A-QA	Q1711	405 108 5009	TR 2SC4793-LB
	405 020 7907	TR 2SC945A-RA	Q1712	405 011 7305	TR 2SC1740-Q
Q1703	405 011 7305	TR 2SC1740-Q		405 011 7404	TR 2SC1740-R
	405 011 7404	TR 2SC1740-R		405 011 7503	TR 2SC1740-S
	405 011 7503	TR 2SC1740-S		405 011 8401	TR 2SC1740S-Q
	405 011 8401	TR 2SC1740S-Q		405 011 8500	TR 2SC1740S-R
	405 011 8500	TR 2SC1740S-R		405 011 8609	TR 2SC1740S-S
	405 011 8609	TR 2SC1740S-S		405 012 2002	TR 2SC1815-GR
	405 012 2002	TR 2SC1815-GR		405 012 2101	TR 2SC1815-O
	405 012 2101	TR 2SC1815-O		405 012 2309	TR 2SC1815-Y
	405 012 2309	TR 2SC1815-Y		405 019 1909	TR 2SC536-E-NP
	405 019 1909	TR 2SC536-E-NP		405 019 2708	TR 2SC536-F-NP
	405 019 2708	TR 2SC536-F-NP		405 019 3804	TR 2SC536-G-NP
	405 019 3804	TR 2SC536-G-NP		405 020 7501	TR 2SC945A-PA
	405 020 7501	TR 2SC945A-PA		405 020 7709	TR 2SC945A-QA
	405 020 7709	TR 2SC945A-QA		405 020 7907	TR 2SC945A-RA
	405 020 7907	TR 2SC945A-RA	Q2761	405 011 7305	TR 2SC1740-Q
Q1705	405 011 7305	TR 2SC1740-Q		405 011 7404	TR 2SC1740-R
	405 011 7404	TR 2SC1740-R		405 011 7503	TR 2SC1740-S
	405 011 7503	TR 2SC1740-S		405 011 8401	TR 2SC1740S-Q
	405 011 8401	TR 2SC1740S-Q		405 011 8500	TR 2SC1740S-R
	405 011 8500	TR 2SC1740S-R		405 011 8609	TR 2SC1740S-S
	405 011 8609	TR 2SC1740S-S		405 012 2002	TR 2SC1815-GR
	405 012 2002	TR 2SC1815-GR		405 012 2101	TR 2SC1815-O
	405 012 2101	TR 2SC1815-O		405 012 2309	TR 2SC1815-Y
	405 012 2309	TR 2SC1815-Y		405 019 1909	TR 2SC536-E-NP
	405 019 1909	TR 2SC536-E-NP		405 019 2708	TR 2SC536-F-NP
	405 019 2708	TR 2SC536-F-NP		405 019 3804	TR 2SC536-G-NP
	405 019 3804	TR 2SC536-G-NP		405 020 7501	TR 2SC945A-PA
	405 020 7501	TR 2SC945A-PA		405 020 7709	TR 2SC945A-QA
	405 020 7709	TR 2SC945A-QA		405 020 7907	TR 2SC945A-RA
	405 020 7907	TR 2SC945A-RA	Q2762	406 009 9509	TR 2SC4544
Q1706	405 011 7305	TR 2SC1740-Q	Q2771	405 011 7305	TR 2SC1740-Q
	405 011 7404	TR 2SC1740-R		405 011 7404	TR 2SC1740-R
	405 011 7503	TR 2SC1740-S		405 011 7503	TR 2SC1740-S
	405 011 8401	TR 2SC1740S-Q		405 011 8401	TR 2SC1740S-Q
	405 011 8500	TR 2SC1740S-R		405 011 8500	TR 2SC1740S-R
	405 011 8609	TR 2SC1740S-S		405 011 8609	TR 2SC1740S-S
	405 012 2002	TR 2SC1815-GR		405 012 2002	TR 2SC1815-GR
	405 012 2101	TR 2SC1815-O		405 012 2101	TR 2SC1815-O
	405 012 2309	TR 2SC1815-Y		405 012 2309	TR 2SC1815-Y
	405 019 1909	TR 2SC536-E-NP		405 019 1909	TR 2SC536-E-NP
	405 019 2708	TR 2SC536-F-NP		405 019 2708	TR 2SC536-F-NP
	405 019 3804	TR 2SC536-G-NP		405 019 3804	TR 2SC536-G-NP
	405 020 7501	TR 2SC945A-PA		405 020 7501	TR 2SC945A-PA
	405 020 7709	TR 2SC945A-QA		405 020 7709	TR 2SC945A-QA
	405 020 7907	TR 2SC945A-RA		405 020 7907	TR 2SC945A-RA
Q1707	405 011 7305	TR 2SC1740-Q	Q2772	406 009 9509	TR 2SC4544
	405 011 7404	TR 2SC1740-R	Q2781	405 011 7305	TR 2SC1740-Q
	405 011 7503	TR 2SC1740-S		405 011 7404	TR 2SC1740-R
	405 011 8401	TR 2SC1740S-Q		405 011 7503	TR 2SC1740-S
	405 011 8500	TR 2SC1740S-R		405 011 8401	TR 2SC1740S-Q
	405 011 8609	TR 2SC1740S-S		405 011 8500	TR 2SC1740S-R
	405 012 2002	TR 2SC1815-GR		405 011 8609	TR 2SC1740S-S
	405 012 2101	TR 2SC1815-O			
	405 012 2309	TR 2SC1815-Y			
	405 019 1909	TR 2SC536-E-NP			
	405 019 2708	TR 2SC536-F-NP			
	405 019 3804	TR 2SC536-G-NP			
	405 020 7501	TR 2SC945A-PA			
	405 020 7709	TR 2SC945A-QA			
	405 020 7907	TR 2SC945A-RA			

Ref. No.	Part No.	Description	Ref. No.	Part No.	Description
	405 012 2002	TR 2SC1815-GR	R2766	401 064 9907	OXIDE-MT 10K JA 2W
	405 012 2101	TR 2SC1815-O	R2768	401 009 1508	CARBON 2.7K JA 1/2W
	405 012 2309	TR 2SC1815-Y	R2772	401 027 2303	CARBON 560 JA 1/6W
	405 019 1909	TR 2SC536-E-NP	R2773	401 019 1000	CARBON 390 JA 1/4W
	405 019 2708	TR 2SC536-F-NP	R2776	401 064 9907	OXIDE-MT 10K JA 2W
	405 019 3804	TR 2SC536-G-NP	R2778	401 009 1508	CARBON 2.7K JA 1/2W
	405 020 7501	TR 2SC945A-PA	R2782	401 027 2303	CARBON 560 JA 1/6W
	405 020 7709	TR 2SC945A-QA	R2786	401 064 9907	OXIDE-MT 10K JA 2W
	405 020 7907	TR 2SC945A-RA	R2788	401 009 1508	CARBON 2.7K JA 1/2W
Q2782	406 009 9509	TR 2SC4544	R2792	401 007 5805	CARBON 120K JA 1/2W
			R2793	401 027 8602	CARBON 8.2K JA 1/6W
<b>CAPACITOR</b>			R2794	401 057 7507	OXIDE-MT 0.82 JA 1W
C1701	403 058 3403	POLYESTER 0.015U K 50V	R2795	401 066 2104	OXIDE-MT 18K JA 2W
	403 179 3108	POLYESTER 0.015U K 50V	R2796	401 063 7409	OXIDE-MT 8.2K JA 1W
C1703	403 142 3609	CERAMIC 1000P K 50V	R2797	401 002 6500	SOLID 470K KA 1/2W
C1705	403 042 2405	ELECT 100U M 16V			
C1707	403 069 8305	CERAMIC 0.01U Z 50V	<b>VARIABLE RESISTOR</b>		
C1708	403 142 3005	CERAMIC 330P K 50V	VR2761	645 003 5647	VR,SEMI,1K N
C1709	403 028 1606	CERAMIC 56P J 50V	VR2762	645 003 5647	VR,SEMI,1K N
C1711	403 057 0601	POLYESTER 0.01U K 50V	VR2772	645 003 5647	VR,SEMI,1K N
	403 179 3801	POLYESTER 0.01U K 50V	VR2781	645 003 5647	VR,SEMI,1K N
C1712	403 057 7709	POLYESTER 0.012U K 50V	VR2782	645 003 5647	VR,SEMI,1K N
	403 179 3504	POLYESTER 0.012U K 50V			
C1713	403 142 3807	CERAMIC 1500P K 50V	<b>COIL</b>		
C1715	403 065 1409	POLYESTER 4700P K 200V	L1702	645 008 0135	INDUCTOR,47U J
	403 101 9208	POLYESTER 4700P K 200V	L1706	402 002 2202	FUSIBLE RES 470 J- 1/2W
C1717	403 061 8303	POLYESTER 4700P K 50V	L2761	645 001 4840	INDUCTOR,220U K
	403 179 1104	POLYESTER 4700P K 50V	L2771	645 001 4840	INDUCTOR,220U K
C1718	403 259 9907	ELECT 47U M 160V	L2781	645 001 4840	INDUCTOR,220U K
C1719	403 259 9006	ELECT 10U M 160V	L2791	645 001 4758	INDUCTOR,100U K
C1721	403 259 9907	ELECT 47U M 160V			
C1722	403 222 0603	ELECT 22U M 160V	<b>DIODE</b>		
C1724	403 142 2909	CERAMIC 270P K 50V	D1704	407 007 9904	DIODE GMA01
C1726	403 036 4101	CERAMIC 56P J 500V		407 012 4406	DIODE 1SS133
C1748	403 069 8305	CERAMIC 0.01U Z 50V		407 012 5809	DIODE 1SS176
C1749	403 042 2405	ELECT 100U M 16V	D1705	407 108 5300	DIODE SB07-03N
C2761	403 142 3203	CERAMIC 470P K 50V	D1706	407 007 9904	DIODE GMA01
C2771	403 142 3203	CERAMIC 470P K 50V		407 012 4406	DIODE 1SS133
C2781	403 142 3203	CERAMIC 470P K 50V		407 012 5809	DIODE 1SS176
C2792	403 155 3009	ELECT 47U M 25V	D1707	407 108 5300	DIODE SB07-03N
C2793	403 260 0801	ELECT 4.7U M 250V	D1708	407 007 9904	DIODE GMA01
C2794	403 075 7101	CERAMIC 1000P K 500V		407 012 4406	DIODE 1SS133
C2795	403 290 3902	CERAMIC 1000P K 2K		407 012 5809	DIODE 1SS176
	403 186 2507	CERAMIC 1000P K 2K	D1709	407 007 9904	DIODE GMA01
				407 012 4406	DIODE 1SS133
<b>RESISTOR</b>				407 012 5809	DIODE 1SS176
R1701	401 026 9600	CARBON 470 JA 1/6W	D1710	407 007 9904	DIODE GMA01
R1702	401 025 1902	CARBON 15K JA 1/6W		407 012 4406	DIODE 1SS133
R1703	401 026 7408	CARBON 39K JA 1/6W		407 012 5809	DIODE 1SS176
R1705	401 025 7409	CARBON 220 JA 1/6W	D2761	407 006 3903	DIODE ERB43-04
R1706	401 026 3905	CARBON 330 JA 1/6W			
R1707	401 026 9600	CARBON 470 JA 1/6W	<b>MISCELLANEOUS</b>		
R1709	401 024 7400	CARBON 10K JA 1/6W	AK2761	610 249 4136	CRT SOCKET
R1710	401 027 2303	CARBON 560 JA 1/6W		610 248 4717	CRT SOCKET
R1711	401 027 2303	CARBON 560 JA 1/6W		610 252 1900	CRT SOCKET
R1717	401 024 7004	CARBON 1K JA 1/6W	K2761F01	610 246 7451	CORD,FOCUS
R1719	401 027 2303	CARBON 560 JA 1/6W	X1701	610 012 2215	TRAP,CERAMIC 4.43MHZ
R1720	401 025 4200	CARBON 1.8K JA 1/6W			
R1722	401 025 0004	CARBON 120K JA 1/6W	<b>610 262 0177 ASSY,PWB,FRONT F2JE</b>		
R1723	401 026 7408	CARBON 39K JA 1/6W	<b>1AA0B10E27600</b>		
R1724	401 026 7408	CARBON 39K JA 1/6W	<b>TRANSISTOR</b>		
R1727	401 012 3506	CARBON 10 JB 1/4W	Q1101	405 011 7404	TR 2SC1740-R
R1728	401 012 4602	CARBON 100 JB 1/4W		405 011 7503	TR 2SC1740-S
R1730	401 027 8305	CARBON 820 JA 1/6W		405 011 8500	TR 2SC1740S-R
R1732	401 027 2303	CARBON 560 JA 1/6W		405 011 8609	TR 2SC1740S-S
R1733	401 024 7707	CARBON 100K JA 1/6W		405 012 2002	TR 2SC1815-GR
R1734	401 024 7707	CARBON 100K JA 1/6W		405 019 2708	TR 2SC536-F-NP
R1735	401 027 2303	CARBON 560 JA 1/6W		405 019 3804	TR 2SC536-G-NP
R1736	401 024 9701	CARBON 12K JA 1/6W		405 020 7501	TR 2SC945A-PA
R1737	401 009 8705	CARBON 39 JB 1/2W	Q1106	405 011 7404	TR 2SC1740-R
R1738	401 009 8705	CARBON 39 JB 1/2W		405 011 7503	TR 2SC1740-S
R1739	401 008 4500	CARBON 2.7 JB 1/2W		405 011 8500	TR 2SC1740S-R
R1741	401 008 4500	CARBON 2.7 JB 1/2W		405 011 8609	TR 2SC1740S-S
R1742	401 066 6102	OXIDE-MT 220 JA 2W		405 012 2002	TR 2SC1815-GR
R1744	401 024 9305	CARBON 1.2K JA 1/6W			
R2762	401 027 2303	CARBON 560 JA 1/6W			
R2765	401 008 7501	CARBON 2.2K JA 1/2W			

Ref. No.	Part No.	Description	Ref. No.	Part No.	Description
	405 019 2708	TR 2SC536-F-NP	L1106	645 001 4567	INDUCTOR,10U K
	405 019 3804	TR 2SC536-G-NP			
	405 020 7501	TR 2SC945A-PA	<b>DIODE</b>		
Q1901	405 011 7404	TR 2SC1740-R	D1102	407 005 4505	DIODE DS442X
	405 011 7503	TR 2SC1740-S		407 013 1206	DIODE 1S1555
	405 011 8500	TR 2SC1740S-R		407 013 4207	DIODE 1S2076
	405 011 8609	TR 2SC1740S-S		407 013 7109	DIODE 1S2473
	405 012 2002	TR 2SC1815-GR	D1103	407 005 4505	DIODE DS442X
	405 019 2708	TR 2SC536-F-NP		407 013 1206	DIODE 1S1555
	405 019 3804	TR 2SC536-G-NP		407 013 4207	DIODE 1S2076
	405 020 7501	TR 2SC945A-PA		407 013 7109	DIODE 1S2473
Q681	405 014 8408	TR 2SC2568(1)-K	D1901	407 042 7309	LED TLR144
	405 014 8507	TR 2SC2568(1)-L	D1901A	610 252 7018	HOLDER LED S-S6KH
	405 041 6507	TR 2SC2621-D-RA		610 230 6453	LED HOLDER-S6KH
	405 041 6705	TR 2SC2621-E-RA	D1903	407 007 9904	DIODE GMA01
				407 012 4406	DIODE 1SS133
				407 012 5809	DIODE 1SS176
<b>CAPACITOR</b>			D682	407 005 7308	DIODE EM01Z
C042	403 069 8305	CERAMIC 0.01U Z 50V	D685	407 013 1008	DIODE 1S1553
C043	403 069 8305	CERAMIC 0.01U Z 50V	D686	407 053 6803	ZENER DIODE MTZ5.6C
C044	403 069 8305	CERAMIC 0.01U Z 50V		407 057 0104	ZENER DIODE RD5.6EB3
C046	403 140 9207	NP-ELECT 10U M 16V		407 151 8501	ZENER DIODE UZ-5.6BCC
C047	403 140 9207	NP-ELECT 10U M 16V			
C048	403 069 8305	CERAMIC 0.01U Z 50V	<b>MISCELLANEOUS</b>		
C049	403 069 8305	CERAMIC 0.01U Z 50V	A1901	645 007 1546	UNIT,REMOCON RECEIVER
C050	403 069 8305	CERAMIC 0.01U Z 50V		645 020 9277	UNIT,REMOCON RECEIVER
C1101	403 009 3001	CERAMIC 100P J 50V		610 224 5806	RC PREAMP 409-1L
C1102	403 069 0507	CERAMIC 1000P K 50V	K041	645 018 8831	JACK,PHONE D3.6
C1103	403 248 1905	ELECT 10U M 16V		610 009 8053	JACK,PHONE D3.6
C1104	403 248 1905	ELECT 10U M 16V	K1101	645 002 0568	TERMINAL, BOARD
C1106	403 009 3001	CERAMIC 100P J 50V	SW1901	645 003 4701	SWITCH,PUSH 1P-1TX1
C1107	403 069 0507	CERAMIC 1000P K 50V	SW1902	645 003 4701	SWITCH,PUSH 1P-1TX1
C1108	403 248 1905	ELECT 10U M 16V	SW1903	645 003 4701	SWITCH,PUSH 1P-1TX1
C1109	403 248 1905	ELECT 10U M 16V	SW1904	645 003 4701	SWITCH,PUSH 1P-1TX1
C1117	403 008 5105	CERAMIC 10P D 50V	SW1905	645 003 4701	SWITCH,PUSH 1P-1TX1
C681	403 054 1502	ELECT 470U M 35V	SW1906	645 003 4701	SWITCH,PUSH 1P-1TX1
C682	403 160 0000	ELECT 470U M 10V	SW1907	610 011 4432	SWITCH,PUSH
C683	403 248 3107	ELECT 3.3U M 50V	△SW601	645 003 6811	SWITCH,PUSH POWER 2P-2T
<b>RESISTOR</b>					
R046	401 007 7601	CARBON 150 JA 1/2W			
R047	401 007 7601	CARBON 150 JA 1/2W			
R048	401 024 6700	CARBON 100 JA 1/6W			
R1101	401 025 7805	CARBON 2.2K JA 1/6W			
R1102	401 024 7707	CARBON 100K JA 1/6W			
R1103	401 024 7707	CARBON 100K JA 1/6W			
R1104	401 025 8703	CARBON 220K JA 1/6W			
R1105	401 027 2600	CARBON 5.6K JA 1/6W			
R1106	401 025 7805	CARBON 2.2K JA 1/6W			
R1107	401 024 7707	CARBON 100K JA 1/6W			
R1108	401 024 7707	CARBON 100K JA 1/6W			
R1109	401 025 8703	CARBON 220K JA 1/6W			
R1110	401 027 2600	CARBON 5.6K JA 1/6W			
R1116	401 027 6608	CARBON 75 JA 1/6W			
R1901	401 025 3807	CARBON 180 JA 1/6W			
R1902	401 025 1605	CARBON 1.5K JA 1/6W			
R1903	401 026 9600	CARBON 470 JA 1/6W			
R1904	401 025 1605	CARBON 1.5K JA 1/6W			
R1905	401 025 4200	CARBON 1.8K JA 1/6W			
R1906	401 026 4308	CARBON 3.3K JA 1/6W			
R1907	401 026 9907	CARBON 4.7K JA 1/6W			
R1908	401 027 5502	CARBON 6.8K JA 1/6W			
R1909	401 025 4606	CARBON 18K JA 1/6W			
R1910	401 027 0309	CARBON 47K JA 1/6W			
R681	401 060 6405	OXIDE-MT 27 JA 1W	Q1631	405 011 7305	TR 2SC1740-Q
R682	401 016 3809	CARBON 2.2K JA 1/4W		405 011 7404	TR 2SC1740-R
R684	401 027 8602	CARBON 8.2K JA 1/6W		405 011 7503	TR 2SC1740-S
R685	401 024 7400	CARBON 10K JA 1/6W		405 011 8401	TR 2SC1740S-Q
R686	401 024 7400	CARBON 10K JA 1/6W		405 011 8500	TR 2SC1740S-R
				405 011 8609	TR 2SC1740S-S
				405 012 2002	TR 2SC1815-GR
				405 012 2101	TR 2SC1815-O
				405 012 2309	TR 2SC1815-Y
				405 019 1909	TR 2SC536-E-NP
				405 019 2708	TR 2SC536-F-NP
				405 019 3804	TR 2SC536-G-NP
				405 020 7501	TR 2SC945A-PA
				405 020 7709	TR 2SC945A-QA
				405 020 7907	TR 2SC945A-RA
				405 011 7305	TR 2SC1740-Q
				405 011 7404	TR 2SC1740-R
				405 011 7503	TR 2SC1740-S
				405 011 8401	TR 2SC1740S-Q
				405 011 8500	TR 2SC1740S-R
				405 011 8609	TR 2SC1740S-S
				405 012 2002	TR 2SC1815-GR
				405 012 2101	TR 2SC1815-O
				405 012 2309	TR 2SC1815-Y
				405 019 1909	TR 2SC536-E-NP
				405 019 2708	TR 2SC536-F-NP
				405 019 3804	TR 2SC536-G-NP
				405 020 7501	TR 2SC945A-PA
				405 020 7709	TR 2SC945A-QA
				405 020 7907	TR 2SC945A-RA
<b>TRANSFORMER</b>					
T681	610 033 3758	POWER TRANS			
	610 240 4722	POWER TRANS			
<b>COIL</b>					
L041	645 002 1787	CORE,PIPE			
L042	645 008 5635	INDUCTOR,12U K			
L043	645 008 5635	INDUCTOR,12U K			
L1101	645 001 4567	INDUCTOR,10U K			

Ref. No.	Part No.	Description	Ref. No.	Part No.	Description
Q1633	405 023 4903	TR 2SD400-D-MP	R1609	401 024 7400	CARBON 10K JA 1/6W
	405 023 5009	TR 2SD400-E-MP	R1610	401 025 3807	CARBON 180 JA 1/6W
	405 023 5306	TR 2SD400-F-MP	R1611	401 065 0804	OXIDE-MT 100K JA 2W
Q1634	405 011 7305	TR 2SC1740-Q	R1612	401 065 0804	OXIDE-MT 100K JA 2W
	405 011 7404	TR 2SC1740-R	R1613	401 016 1508	CARBON 22 JA 1/4W
	405 011 7503	TR 2SC1740-S	R1614	401 057 4100	OXIDE-MT 0.33 JA 1W
	405 011 8401	TR 2SC1740S-Q	R1615	401 025 8208	CARBON 22K JA 1/6W
	405 011 8500	TR 2SC1740S-R	R1616	401 057 4100	OXIDE-MT 0.33 JA 1W
	405 011 8609	TR 2SC1740S-S	R1617	401 065 0804	OXIDE-MT 100K JA 2W
	405 012 2002	TR 2SC1815-GR	R1620	401 024 7400	CARBON 10K JA 1/6W
	405 012 2101	TR 2SC1815-O	R1630	401 024 7400	CARBON 10K JA 1/6W
	405 012 2309	TR 2SC1815-Y	R1631	401 026 9600	CARBON 470 JA 1/6W
	405 019 1909	TR 2SC536-E-NP	R1632	401 026 9907	CARBON 4.7K JA 1/6W
	405 019 2708	TR 2SC536-F-NP	R1633	401 027 1603	CARBON 5.1K JA 1/6W
	405 019 3804	TR 2SC536-G-NP	R1638	401 016 2604	CARBON 220 JA 1/4W
	405 020 7501	TR 2SC945A-PA	R1639	401 058 7209	OXIDE-MT 12 JA 1W
	405 020 7709	TR 2SC945A-QA	R1643	401 025 1605	CARBON 1.5K JA 1/6W
	405 020 7907	TR 2SC945A-RA	R1644	401 025 8208	CARBON 22K JA 1/6W
			R1646	401 026 1000	CARBON 2.7K JA 1/6W
			R1647	401 027 0309	CARBON 47K JA 1/6W
			R601	401 010 4802	CARBON 470K JA 1/2W
			R602	402 058 6605	WIRE WOUND 3.9 JA 15W
				402 073 5201	WIRE WOUND 3.9 KA 15W
<b>INTEGRATED CIRCUIT</b>			<b>VARIABLE RESISTOR</b>		
IC1601	409 281 6303	IC FA5311P	VR1631	645 006 5163	VR, SEMI, 3K N
<b>CAPACITOR</b>			<b>TRANSFORMER</b>		
C1601	403 076 7100	CERAMIC 1000P M 1K	$\Delta$ T1601	645 017 1253	TRANS, POWER, PULSE
C1602	403 076 7100	CERAMIC 1000P M 1K	<b>COIL</b>		
C1603	403 076 7100	CERAMIC 1000P M 1K	$\Delta$ L1601	645 011 2966	LINE FILTER
C1604	403 076 7100	CERAMIC 1000P M 1K	L1643	645 007 8156	INDUCTOR, 82U K
C1606	404 067 4009	ELECT 100U M 400V		610 032 1083	INDUCTOR, 82U K
	404 069 5707	ELECT 100U M 400V		645 005 5423	INDUCTOR, 82U K
C1607	403 166 8109	MT-POLYEST 0.22U J 63V	L601	610 237 1000	PIPE CORE
	403 237 7901	MT-COMPO 0.22U J 50V	L602	610 237 1000	PIPE CORE
C1608	403 062 9309	POLYESTER 6800P J 50V	L603	645 019 3873	LINE FILTER
	403 179 0404	POLYESTER 6800P J 50V	<b>DIODE</b>		
C1609	403 166 8109	MT-POLYEST 0.22U J 63V	D1601	407 006 6300	DIODE ERC05-10B
	403 237 7901	MT-COMPO 0.22U J 50V		407 009 6901	DIODE RM11C
C1611	403 056 7304	POLYESTER 1000P J 50V	D1602	407 006 6300	DIODE ERC05-10B
	403 178 9200	POLYESTER 1000P J 50V		407 009 6901	DIODE RM11C
C1612	403 084 2005	POLYPRO 0.039U J 630V	D1603	407 006 6300	DIODE ERC05-10B
C1614	403 167 8603	CERAMIC 220P K 2K		407 009 6901	DIODE RM11C
	403 186 2101	CERAMIC 220P K 2K	D1604	407 006 6300	DIODE ERC05-10B
C1616	403 229 1207	ELECT 47U M 35V		407 009 6901	DIODE RM11C
C1617	404 059 9203	CERAMIC 1000P M 400V	D1608	407 146 8103	DIODE EG01C
	404 060 6000	CERAMIC 1000P M 400V	D1609	407 127 9402	DIODE EL1Z
C1620	403 232 6602	CERAMIC 150P K 2K		407 006 4702	DIODE ERB91-02
	403 232 6800	CERAMIC 150P K 3K	D1631	407 005 4505	DIODE DS442X
C1631	403 199 9708	ELECT 470U M 25V		408 008 2406	DIODE 1N4148
C1634	403 165 6007	CERAMIC 1000P K 1K		407 013 1206	DIODE 1S1555
	403 271 9602	CERAMIC 1000P K 1K		407 013 4207	DIODE 1S2076
	403 262 1806	CERAMIC 1000P K 1K		407 013 7109	DIODE 1S2473
C1636	403 196 0203	ELECT 2200U M 35V	D1632	407 057 2801	ZENER DIODE RD6.2EB3
C1637	403 165 6007	CERAMIC 1000P K 1K		407 057 4003	ZENER DIODE RD6.8EB1
	403 271 9602	CERAMIC 1000P K 1K		407 151 8600	ZENER DIODE UZ-6.2BCC
	403 262 1806	CERAMIC 1000P K 1K		407 164 9908	ZENER DIODE UZ-6.8BCA
C1638	403 228 5602	ELECT 100U M 25V	D1633	407 006 4702	DIODE ERB91-02
C1639	403 233 0302	ELECT 100U M 16V	D1637	407 154 2704	DIODE YG901C2-LB
C1643	403 196 0203	ELECT 2200U M 35V	D1637A	610 219 0335	HEAT SINK-E2JC
$\Delta$ C601	404 047 3602	MT-POLYEST 0.1U M 125V		610 219 1189	HEAT SINK-E2HV
	404 066 1702	MT-POLYEST 0.1U M 275V	D1637B	610 014 5818	WASHER
	404 044 0901	MT-COMPO 0.1U M 250V	D1637C	411 023 9305	SCR S-TPG PAN 3X7
$\Delta$ C602	404 047 3602	MT-POLYEST 0.1U M 125V	D1638	407 005 4505	DIODE DS442X
	404 066 1702	MT-POLYEST 0.1U M 275V		408 008 2406	DIODE 1N4148
	404 044 0901	MT-COMPO 0.1U M 250V		407 013 1206	DIODE 1S1555
C603	403 076 7100	CERAMIC 1000P M 1K		407 013 4207	DIODE 1S2076
C604	403 076 7100	CERAMIC 1000P M 1K	D1639	407 054 0107	ZENER DIODE RD10EB3
C605	403 076 7100	CERAMIC 1000P M 1K		407 164 6501	ZENER DIODE UZ-10BCC
C606	403 076 7100	CERAMIC 1000P M 1K	$\Delta$ D1644	407 105 8700	PHOTO COUPLE PC113B
C607	403 076 4000	CERAMIC 4700P K 500V		408 009 8407	PHOTO COUPLE CNY17F-3OPT6
<b>RESISTOR</b>			$\Delta$ D1646	407 105 8700	PHOTO COUPLE PC113B
R1601	402 060 8109	WIRE WOUND 3.9 KA 5W		408 009 8407	PHOTO COUPLE CNY17F-3OPT6
	402 072 4205	WIRE WOUND 3.9 KA 5W			
R1602	401 068 5509	OXIDE-MT 47K JA 2W			
R1603	401 007 5805	CARBON 120K JA 1/2W			
R1604	401 007 5805	CARBON 120K JA 1/2W			
R1605	401 024 7004	CARBON 1K JA 1/6W			
R1606	401 027 5502	CARBON 6.8K JA 1/6W			
R1607	401 024 7004	CARBON 1K JA 1/6W			



Ref. No.	Part No.	Description	Ref. No.	Part No.	Description
D603	407 006 6300	DIODE ERC05-10B		405 012 2002	TR 2SC1815-GR
	407 009 6901	DIODE RM11C		405 019 2708	TR 2SC536-F-NP
D604	407 006 6300	DIODE ERC05-10B		405 019 3804	TR 2SC536-G-NP
	407 009 6901	DIODE RM11C		405 020 7501	TR 2SC945A-PA
D605	407 006 6300	DIODE ERC05-10B	Q542	405 011 7404	TR 2SC1740-R
	407 009 6901	DIODE RM11C		405 011 7503	TR 2SC1740-S
D606	407 006 6300	DIODE ERC05-10B		405 011 8500	TR 2SC1740S-R
	407 009 6901	DIODE RM11C		405 011 8609	TR 2SC1740S-S
				405 012 2002	TR 2SC1815-GR
				405 019 2708	TR 2SC536-F-NP
				405 019 3804	TR 2SC536-G-NP
				405 020 7501	TR 2SC945A-PA
			Q614	405 011 7404	TR 2SC1740-R
				405 011 7503	TR 2SC1740-S
				405 011 8500	TR 2SC1740S-R
				405 011 8609	TR 2SC1740S-S
				405 012 2002	TR 2SC1815-GR
				405 019 2708	TR 2SC536-F-NP
				405 019 3804	TR 2SC536-G-NP
				405 020 7501	TR 2SC945A-PA
			Q616	405 011 7404	TR 2SC1740-R
				405 011 7503	TR 2SC1740-S
				405 011 8500	TR 2SC1740S-R
				405 011 8609	TR 2SC1740S-S
				405 012 2002	TR 2SC1815-GR
				405 019 2708	TR 2SC536-F-NP
				405 019 3804	TR 2SC536-G-NP
				405 020 7501	TR 2SC945A-PA
			Q632	406 000 6804	TR 2SA1015-GR(SAN)
				405 001 7605	TR 2SA1015-Y(SAN)
				405 004 3208	TR 2SA564A-R(CU)
				405 004 4809	TR 2SA608-F-CTV-NP
				405 006 1202	TR 2SA933-R
				405 006 1806	TR 2SA933S-R
			Q633	405 058 0208	TR 2SC3807-R-CTV-YA
			Q634	405 095 0407	TR 2SC4429-L-YB
				405 095 0308	TR 2SC4429-M-YB
			Q651	405 064 7406	TR 2SB1274-R-RA
<b>MISCELLANEOUS</b>			<b>INTEGRATED CIRCUIT</b>		
△F601	423 022 2102	FUSE 250V 4A	IC501	409 192 5709	IC LA7833
F601A	645 000 5077	HOLDER,FUSE	IC521	409 198 9206	IC BA4558N
F601B	645 000 5077	HOLDER,FUSE	IC531	409 382 5304	IC TA8859AP
Q1602A	610 236 2169	AUDIO HEATSINK ASSY E5AW	IC611	409 169 5800	IC SE140NL
Q1602B	411 045 2803	SCR PAN+SW 3X12	IC651	409 036 8408	IC M5237L
Q1602C	411 004 4404	NUT HEX 3	<b>CAPACITOR</b>		
	411 054 7400	NUT HEX 3	C401	403 270 4004	MT-POLYEST 0.056U K 63V
Q1602D	610 014 5818	WASHER		403 260 3109	MT-COMPO 0.056U J 50V
TP16G	645 008 4058	TERMINAL, PLUG	C402	403 178 8807	ELECT 33U M 100V
TP16V	645 008 4058	TERMINAL, PLUG	C403	403 076 3607	CERAMIC 470P K 500V
*03*	610 079 6355	TR MTG BRKT-A3MA	C404	403 076 0507	CERAMIC 2200P K 500V
*03*	610 219 3770	TR MTG BRKT-D8RJ	△C421	404 030 6702	MT-POLYPRO 8200P J 1.5K
*03*	610 236 4323	AUDIO HEATSINK E5AW		404 030 6801	MT-POLYPRO 8200P J 1.5K
H1603	610 133 2408	FIXER HOOK, 18.2X10(PA)	△C422	404 060 9407	MT-POLYPRO 9800P J 1.5K
△PS601	408 024 1605	TH PTH451C472BD140N270	△C424	403 082 8009	POLYPRO 0.2U J 200V
			△C425	403 083 1801	POLYPRO 0.082U J 200V
			△C426	403 082 8009	POLYPRO 0.2U J 200V
			△C427	403 082 9006	POLYPRO 0.27U J 200V
			C429	403 066 6106	MT-POLYEST 0.47U J 250V
			C434	403 270 3809	MT-POLYEST 0.047U K 63V
				403 225 2703	MT-COMPO 0.047U J 50V
			C435	403 248 2803	ELECT 2.2U M 50V
			C439	403 165 7004	CERAMIC 470P K 3K
			C462	403 069 8305	CERAMIC 0.01U Z 50V
			C463	403 270 4202	MT-POLYEST 0.068U K 63V
				403 249 9405	MT-COMPO 0.068U J 50V
			C464	403 060 8403	POLYESTER 0.033U K 50V
				403 179 1609	POLYESTER 0.033U K 50V
			C465	403 084 0308	POLYPRO 0.022U J 630V
			C466	403 083 9302	POLYPRO 0.015U J 630V
			C467	403 188 0808	MT-POLYEST 2.2U J 100V
			C469	403 188 0808	MT-POLYEST 2.2U J 100V
			C470	403 076 1405	CERAMIC 2700P K 500V
			C472	403 274 4208	POLYESTER 6800P K 100V
				403 289 0707	POLYESTER 6800P K 100V

Ref. No.	Part No.	Description	Ref. No.	Part No.	Description
C481	403 106 4604	ELECT 33U M 250V	R474	401 027 0309	CARBON 47K JA 1/6W
C482	403 233 0302	ELECT 100U M 16V	R475	401 027 5205	CARBON 680 JA 1/6W
C486	403 233 0609	ELECT 47U M 25V	R476	401 026 7408	CARBON 39K JA 1/6W
C491	403 049 4204	ELECT 10U M 50V	△R477	402 060 7805	FUSIBLE RES 2.7 J- 1/2W
	403 233 0807	ELECT 10U M 50V	R478	401 024 7707	CARBON 100K JA 1/6W
C501	403 102 8408	MT-POLYEST 0.1U K 100V	△R481	402 022 2008	FUSIBLE RES 1 J- 1/2W
C502	403 075 7101	CERAMIC 1000P K 500V	R482	401 057 9907	OXIDE-MT 1.5 JA 1W
C503	403 023 9607	CERAMIC 39P J 50V	R485	401 010 7605	CARBON 560 JA 1/2W
C504	403 217 1103	ELECT 220U M 35V	R486	401 009 0907	CARBON 270 JA 1/2W
C506	403 054 1502	ELECT 470U M 35V	R488	401 027 8602	CARBON 8.2K JA 1/6W
	403 210 5504	ELECT 470U M 35V	R491	401 009 5803	CARBON 330 JA 1/2W
C507	403 258 3401	ELECT 10U M 25V	R493	401 025 7805	CARBON 2.2K JA 1/6W
C508	403 069 8305	CERAMIC 0.01U Z 50V	△R501	402 059 4402	FUSIBLE RES 150 J- 1/2W
C509	403 258 3401	ELECT 10U M 25V	△R502	402 063 3309	FUSIBLE RES 1.5 J- 1/4W
C511	403 064 1202	POLYESTER 0.1U K 100V	R503	401 060 2704	OXIDE-MT 220 JA 1W
	403 276 9706	POLYESTER 0.1U K 100V	R504	401 058 3706	OXIDE-MT 1K JA 1W
C512	403 233 0500	ELECT 3300U M 25V	R505	401 066 6102	OXIDE-MT 220 JA 2W
C521	403 248 2803	ELECT 2.2U M 50V	R506	401 027 3003	CARBON 56K JA 1/6W
C531	403 233 0302	ELECT 100U M 16V	R507	401 026 9907	CARBON 4.7K JA 1/6W
C534	403 062 0504	POLYESTER 0.047U K 50V	R508	401 026 9907	CARBON 4.7K JA 1/6W
	403 179 0909	POLYESTER 0.047U K 50V	R510	401 024 7004	CARBON 1K JA 1/6W
C536	403 075 4209	CERAMIC 820P K 50V	R511	401 026 1000	CARBON 2.7K JA 1/6W
C541	403 059 0104	POLYESTER 0.018U K 50V	R512	401 057 8009	OXIDE-MT 1 JA 1W
	403 179 2804	POLYESTER 0.018U K 50V	R514	401 020 2003	CARBON 4.7K JA 1/4W
C542	403 091 2500	TA-SOLID 2.2U K 16V	R515	401 026 9907	CARBON 4.7K JA 1/6W
C543	403 257 0807	ELECT 0.47U M 50V	R521	401 026 4605	CARBON 33K JA 1/6W
C546	403 248 1400	ELECT 1U M 50V	R522	401 025 1902	CARBON 15K JA 1/6W
C616	404 044 0703	ELECT 470U M 160V	R523	401 027 8602	CARBON 8.2K JA 1/6W
C617	403 165 6007	CERAMIC 1000P K 1K	R524	401 024 9305	CARBON 1.2K JA 1/6W
	403 271 9602	CERAMIC 1000P K 1K	R526	401 027 5908	CARBON 68K JA 1/6W
	403 262 1806	CERAMIC 1000P K 1K	R527	401 025 8208	CARBON 22K JA 1/6W
C618	403 155 1203	ELECT 3300U M 25V	R528	401 025 4200	CARBON 1.8K JA 1/6W
C621	403 154 8500	ELECT 3300U M 35V	R532	401 026 7606	CARBON 390K JA 1/6W
C623	403 165 6007	CERAMIC 1000P K 1K	R533	401 025 0004	CARBON 120K JA 1/6W
	403 271 9602	CERAMIC 1000P K 1K	R534	401 025 4903	CARBON 180K JA 1/6W
	403 262 1806	CERAMIC 1000P K 1K	R536	401 024 7400	CARBON 10K JA 1/6W
C624	403 148 2002	ELECT 470U M 35V	R537	401 025 4200	CARBON 1.8K JA 1/6W
C631	403 057 3107	POLYESTER 0.1U K 50V	R539	401 024 7004	CARBON 1K JA 1/6W
	403 181 8207	POLYESTER 0.1U K 50V	R540	401 024 7004	CARBON 1K JA 1/6W
C632	403 058 2604	POLYESTER 0.015U J 50V	R542	401 025 4606	CARBON 18K JA 1/6W
	403 179 3207	POLYESTER 0.015U J 50V	R543	401 026 9600	CARBON 470 JA 1/6W
C633	404 051 8105	ELECT 270U M 400V	R544	401 026 9600	CARBON 470 JA 1/6W
C634	403 167 8702	CERAMIC 2200P K 2K	R545	401 024 6700	CARBON 100 JA 1/6W
	403 186 2002	CERAMIC 2200P K 2K	R546	401 025 8208	CARBON 22K JA 1/6W
△C636	404 059 9203	CERAMIC 1000P M 400V	R547	401 026 4308	CARBON 3.3K JA 1/6W
	404 060 6000	CERAMIC 1000P M 400V	R548	401 024 7400	CARBON 10K JA 1/6W
C637	403 060 8403	POLYESTER 0.033U K 50V	R549	401 024 7400	CARBON 10K JA 1/6W
	403 179 1609	POLYESTER 0.033U K 50V	R550	401 024 7707	CARBON 100K JA 1/6W
C651	403 233 0302	ELECT 100U M 16V	R614	401 023 3403	CARBON 82K GA 1/4W
C652	403 208 6308	ELECT 220U M 16V	R615	401 016 8309	CARBON 24K GA 1/4W
C653	403 069 8305	CERAMIC 0.01U Z 50V	R616	401 024 7400	CARBON 10K JA 1/6W
C654	403 206 5709	MT-POLYEST 0.33U J 50V	R617	401 024 7400	CARBON 10K JA 1/6W
	403 260 2904	MT-COMPO 0.33U J 50V	R625	401 016 4806	CARBON 22K JA 1/4W
			R626	401 026 9600	CARBON 470 JA 1/6W
<b>RESISTOR</b>			R628	401 065 8503	OXIDE-MT 15K JA 2W
R401	401 026 3905	CARBON 330 JA 1/6W	R631	401 011 2708	CARBON 68K JA 1/2W
R402	401 024 7004	CARBON 1K JA 1/6W	R632	401 027 2600	CARBON 5.6K JA 1/6W
R403	401 018 9809	CARBON 39 JA 1/4W	R633	401 015 2209	CARBON 1.8K GA 1/4W
R405	401 010 8305	CARBON 5.6K JA 1/2W	R634	401 014 5201	CARBON 15K JA 1/4W
R416	401 064 9907	OXIDE-MT 10K JA 2W	R636	402 061 1109	FUSIBLE RES 47 J- 1/4W
R417	401 065 4604	OXIDE-MT 12K JA 2W	R637	401 025 1605	CARBON 1.5K JA 1/6W
R418	401 024 7400	CARBON 10K JA 1/6W	R638	401 024 9305	CARBON 1.2K JA 1/6W
R421	401 024 7004	CARBON 1K JA 1/6W	R639	401 025 8208	CARBON 22K JA 1/6W
R422	401 016 4806	CARBON 22K JA 1/4W	△R640	402 000 8305	SOLID 5.6M KA 1/2W
R424	401 022 4104	CARBON 68K JA 1/4W	△R641	402 000 8305	SOLID 5.6M KA 1/2W
R425	401 065 2808	OXIDE-MT 120 JA 2W	R642	401 066 5204	OXIDE-MT 22 JA 2W
R426	402 066 4105	WIRE WOUND 4.7 KA 7W	R643	401 066 5204	OXIDE-MT 22 JA 2W
	402 076 0005	WIRE WOUND 4.7 KA 7W	R644	401 067 4206	OXIDE-MT 33 JA 2W
R427	401 062 2306	OXIDE-MT 4.7K JA 1W	R645	401 007 5805	CARBON 120K JA 1/2W
R429	401 024 6700	CARBON 100 JA 1/6W	R647	401 007 5805	CARBON 120K JA 1/2W
R432	401 064 5701	OXIDE-MT 1.8 JA 2W	R648	401 067 4206	OXIDE-MT 33 JA 2W
R435	401 058 3706	OXIDE-MT 1K JA 1W	R651	401 066 3002	OXIDE-MT 2.2 JA 2W
R436	401 007 2309	CARBON 100K JA 1/2W	R652	401 066 3002	OXIDE-MT 2.2 JA 2W
R437	401 024 7400	CARBON 10K JA 1/6W	R653	401 061 0006	OXIDE-MT 3.3 JA 1W
R461	401 025 8208	CARBON 22K JA 1/6W	R654	401 025 7409	CARBON 220 JA 1/6W
R462	401 026 9303	CARBON 47 JA 1/6W	R656	401 156 8504	MT-FILM 33K FA 1/6W
R471	401 026 3905	CARBON 330 JA 1/6W			

Ref. No.	Part No.	Description	Ref. No.	Part No.	Description
R658	401 026 6906	CARBON 3.9K GA 1/6W	D615	407 171 0905	DIODE RU4YX-S
<b>TRANSFORMER</b>			D616	407 129 7000	DIODE RU4AM LF-L1
T401	610 000 1138	DRIVE TRANS	D617	407 007 9904	DIODE GMA01
	610 223 1663	DRIVE TRANS		407 012 4406	DIODE 1SS133
△T402	645 006 4371	TRANS, FLYBACK		407 012 5809	DIODE 1SS176
△T611	645 018 9951	TRANS, POWER, PULSE	D618	407 052 3506	ZENER DIODE HZ35
			D619	407 007 9904	DIODE GMA01
<b>COIL</b>				407 012 4406	DIODE 1SS133
L402	610 032 4381	FILTER COIL		407 012 5809	DIODE 1SS176
	610 032 4404	FILTER COIL	D622	407 007 9904	DIODE GMA01
L407	610 000 0971	LINEARITY COIL		407 012 4406	DIODE 1SS133
	610 205 0103	LINEARITY COIL		407 012 5809	DIODE 1SS176
L407B1	645 008 4058	TERMINAL, PLUG	D623	407 007 9904	DIODE GMA01
L407B2	645 008 4058	TERMINAL, PLUG		407 012 4406	DIODE 1SS133
L407B3	645 008 4058	TERMINAL, PLUG		407 012 5809	DIODE 1SS176
L407B4	645 008 4058	TERMINAL, PLUG	D624	407 007 9904	DIODE GMA01
L425	610 211 3471	INDUCTOR		407 012 4406	DIODE 1SS133
L461	610 000 8663	COIL		407 012 5809	DIODE 1SS176
	645 016 9120	INDUCTOR, 420UH	D626	407 007 9904	DIODE GMA01
L462	610 031 1367	INDUCTOR 202J		407 012 4406	DIODE 1SS133
	610 211 3488	INDUCTOR		407 012 5809	DIODE 1SS176
	645 005 5645	INDUCTOR, 2200U K	D627	407 007 9904	DIODE GMA01
	645 007 8361	INDUCTOR, 2000U		407 012 4406	DIODE 1SS133
L501	645 001 5748	INDUCTOR, 33U K		407 012 5809	DIODE 1SS176
L502	610 032 1250	INDUCTOR, 150U	D628	407 163 9503	ZENER DIODE UZ-36BCA
L503	610 032 4381	FILTER COIL		407 164 4903	ZENER DIODE UZ-36BCB
	610 032 4404	FILTER COIL	D631	407 013 1008	DIODE 1S1553
	645 008 5642	INDUCTOR, 3.3U K		407 013 4306	DIODE 1S2076A
L633	610 031 1572	INDUCTOR, 22U K	D632	407 007 6606	DIODE ES1
				407 007 6903	DIODE ES1Z
<b>DIODE</b>			D633	407 057 9800	ZENER DIODE RD9.1EB3
D403	407 095 8001	DIODE ERD07-15L	D634	407 005 4505	DIODE DS442X
	407 125 6502	DIODE RS3FS LF-U1		407 013 1206	DIODE 1S1555
D427	407 053 8708	ZENER DIODE MTZ9.1A		407 013 4207	DIODE 1S2076
	407 057 9602	ZENER DIODE RD9.1EB1		407 013 7109	DIODE 1S2473
	407 163 9909	ZENER DIODE UZ-9.1BCA	D636	407 005 4505	DIODE DS442X
D461	407 007 9904	DIODE GMA01		407 013 1206	DIODE 1S1555
	407 012 4406	DIODE 1SS133		407 013 4207	DIODE 1S2076
	407 012 5809	DIODE 1SS176		407 013 7109	DIODE 1S2473
D462	407 164 6907	ZENER DIODE UZ-12BCB	<b>MISCELLANEOUS</b>		
D464	407 006 6805	DIODE ERC25-06	△IC423	407 104 2402	PHOTO COUPLE PC817C
	407 009 8806	DIODE RU3AM		407 106 6101	PHOTO COUPLE PC817D
D466	407 007 9904	DIODE GMA01		407 002 6809	PHOTO COUPLE TLP521-1-BL
	407 012 4406	DIODE 1SS133	IC501A	610 253 4603	ASSY, RADIATER B-S7KB
	407 012 5809	DIODE 1SS176	IC501C	411 099 1500	SCR PAN+SW+W 3X12
D481	407 005 9609	DIODE ERA22-04	IC501D	411 004 4404	NUT HEX 3
	407 007 7009	DIODE EU01	Q403B	610 253 4597	ASSY, RADIATER A-S7KB
D482	407 011 4407	DIODE TVR1G	Q403D	411 099 1500	SCR PAN+SW+W 3X12
D486	407 007 7405	DIODE EU1	Q403E	411 004 4404	NUT HEX 3
D487	407 164 7805	ZENER DIODE UZ-20BCA	Q462A	610 257 6818	ASSY, HEAT SINK B-S3CAB
D491	408 008 2406	DIODE 1N4148	Q462B	610 014 5818	WASHER
	407 013 1008	DIODE 1S1553	Q462D	411 099 1500	SCR PAN+SW+W 3X12
	407 013 4306	DIODE 1S2076A	Q462E	411 004 4404	NUT HEX 3
	407 013 6508	DIODE 1S2471	△Q631	407 105 8700	PHOTO COUPLE PC113B
D492	407 057 9602	ZENER DIODE RD9.1EB1		408 009 8407	PHOTO COUPLE CNY17F-3OPT6
	407 163 9909	ZENER DIODE UZ-9.1BCA	SW501	610 011 2728	SWITCH, LEVER 1P-3T
D501	407 005 7308	DIODE EM01Z			
D502	407 005 4505	DIODE DS442X	<b>610 262 0207 ASSY,PWB,MAIN F2JE</b>		
	408 008 2406	DIODE 1N4148	<b>1AA0B10E27900</b>		
	407 013 1206	DIODE 1S1555	<b>TRANSISTOR</b>		
	407 013 4207	DIODE 1S2076	Q101	405 013 3305	TR 2SC2216(SAN)
	407 013 7109	DIODE 1S2473	Q122	406 000 6804	TR 2SA1015-GR(SAN)
D503	407 118 2207	ZENER DIODE 1Z75		405 001 7407	TR 2SA1015-O(SAN)
D544	407 005 4505	DIODE DS442X		405 001 7605	TR 2SA1015-Y(SAN)
	408 008 2406	DIODE 1N4148		405 004 3109	TR 2SA564A-Q(CU)
	407 013 1206	DIODE 1S1555		405 004 3208	TR 2SA564A-R(CU)
	407 013 4207	DIODE 1S2076		405 004 4205	TR 2SA608-E-CTV-NP
	407 013 7109	DIODE 1S2473		405 004 4809	TR 2SA608-F-CTV-NP
D545	407 005 4505	DIODE DS442X		405 006 1103	TR 2SA933-Q
	408 008 2406	DIODE 1N4148		405 006 1202	TR 2SA933-R
	407 013 1206	DIODE 1S1555		405 006 1707	TR 2SA933S-Q
	407 013 4207	DIODE 1S2076		405 006 1806	TR 2SA933S-R
	407 013 7109	DIODE 1S2473	Q132	405 002 0308	TR 2SA1037K-R
D611A	407 171 0905	DIODE RU4YX-S			
D613	407 007 7603	DIODE EU2			
	407 007 7801	DIODE EU2Z			

Ref. No.	Part No.	Description	Ref. No.	Part No.	Description
Q134	405 002 6706	TR 2SA1179-M6-TA		403 179 0305	POLYESTER 6800P K 50V
	406 000 6804	TR 2SA1015-GR(SAN)	C006	403 233 0609	ELECT 47U M 25V
	405 001 7407	TR 2SA1015-O(SAN)	C007	403 233 0609	ELECT 47U M 25V
	405 001 7605	TR 2SA1015-Y(SAN)	C008	403 166 8109	MT-POLYEST 0.22U J 63V
	405 004 3109	TR 2SA564A-Q(CU)		403 237 7901	MT-COMPO 0.22U J 50V
	405 004 3208	TR 2SA564A-R(CU)	C009	403 233 0609	ELECT 47U M 25V
	405 004 4205	TR 2SA608-E-CTV-NP	C010	403 053 8304	ELECT 3300U M 35V
	405 004 4809	TR 2SA608-F-CTV-NP	C011	403 166 8109	MT-POLYEST 0.22U J 63V
	405 006 1103	TR 2SA933-Q		403 237 7901	MT-COMPO 0.22U J 50V
	405 006 1202	TR 2SA933-R	C012	403 209 7205	ELECT 2200U M 25V
	405 006 1707	TR 2SA933S-Q	C013	403 209 7205	ELECT 2200U M 25V
	405 006 1806	TR 2SA933S-R	C015	403 166 8109	MT-POLYEST 0.22U J 63V
Q135	405 014 4509	TR 2SC2412K-R		403 237 7901	MT-COMPO 0.22U J 50V
	405 015 8704	TR 2SC2812-L6-TA	C016	403 166 8109	MT-POLYEST 0.22U J 63V
Q202	405 002 0308	TR 2SA1037K-R		403 237 7901	MT-COMPO 0.22U J 50V
	405 002 6706	TR 2SA1179-M6-TA	C052	403 233 0609	ELECT 47U M 25V
Q203	405 002 0308	TR 2SA1037K-R	C053	403 248 2001	ELECT 4.7U M 25V
	405 002 6706	TR 2SA1179-M6-TA	C054	403 248 2001	ELECT 4.7U M 25V
Q204	405 002 0308	TR 2SA1037K-R	C055	403 233 0609	ELECT 47U M 25V
	405 002 6706	TR 2SA1179-M6-TA	C056	403 233 0609	ELECT 47U M 25V
Q205	405 002 0308	TR 2SA1037K-R	C057	403 237 7901	MT-COMPO 0.22U J 50V
	405 002 6706	TR 2SA1179-M6-TA	C058	403 237 7901	MT-COMPO 0.22U J 50V
Q212	405 014 4509	TR 2SC2412K-R	C059	403 233 0609	ELECT 47U M 25V
	405 015 8704	TR 2SC2812-L6-TA	C060	403 154 8500	ELECT 3300U M 35V
Q231	405 014 4509	TR 2SC2412K-R	C061	403 237 7901	MT-COMPO 0.22U J 50V
	405 015 8704	TR 2SC2812-L6-TA	C062	403 237 7901	MT-COMPO 0.22U J 50V
Q241	405 014 4509	TR 2SC2412K-R	C063	403 158 0807	ELECT 4700U M 25V
	405 015 8704	TR 2SC2812-L6-TA	C064	403 158 0807	ELECT 4700U M 25V
Q242	405 002 0308	TR 2SA1037K-R	C067	403 061 8303	POLYESTER 4700P K 50V
	405 002 6706	TR 2SA1179-M6-TA		403 179 1104	POLYESTER 4700P K 50V
Q243	405 002 0308	TR 2SA1037K-R	C069	403 061 8303	POLYESTER 4700P K 50V
	405 002 6706	TR 2SA1179-M6-TA		403 179 1104	POLYESTER 4700P K 50V
Q801	405 014 4509	TR 2SC2412K-R	C101	403 248 1608	ELECT 47U M 16V
	405 015 8704	TR 2SC2812-L6-TA	C102	403 233 1606	ELECT 47U M 50V
Q802	405 014 4509	TR 2SC2412K-R	C103	403 244 1206	ELECT 100U M 10V
	405 015 8704	TR 2SC2812-L6-TA	C104	403 248 1905	ELECT 10U M 16V
Q804	405 002 0308	TR 2SA1037K-R	C111	403 069 9500	CERAMIC 0.01U Z 50V
	405 002 6706	TR 2SA1179-M6-TA	C114	403 069 9500	CERAMIC 0.01U Z 50V
Q805	405 014 4509	TR 2SC2412K-R	C115	403 069 9500	CERAMIC 0.01U Z 50V
	405 015 8704	TR 2SC2812-L6-TA	C116	403 069 9500	CERAMIC 0.01U Z 50V
Q806	405 014 4509	TR 2SC2412K-R	C117	403 069 9500	CERAMIC 0.01U Z 50V
	405 015 8704	TR 2SC2812-L6-TA	C118	403 069 9500	CERAMIC 0.01U Z 50V
Q807	405 014 4509	TR 2SC2412K-R	C119	403 010 8507	CERAMIC 12P J 50V
	405 015 8704	TR 2SC2812-L6-TA	C120	403 018 0503	CERAMIC 22P J 50V
Q808	405 019 1909	TR 2SC536-E-NP	C122	403 070 2606	CERAMIC 0.1U Z 50V
	405 019 2708	TR 2SC536-F-NP	C126	403 027 1201	CERAMIC 5P C 50V
	405 019 3804	TR 2SC536-G-NP	C127	403 069 4505	CERAMIC 1000P Z 50V
Q809	405 019 1909	TR 2SC536-E-NP	C128	403 248 2803	ELECT 2.2U M 50V
	405 019 2708	TR 2SC536-F-NP	C129	403 028 4409	CERAMIC 56P J 50V
	405 019 3804	TR 2SC536-G-NP	C130	403 069 9500	CERAMIC 0.01U Z 50V
			C131	403 248 1608	ELECT 47U M 16V
			C132	403 068 0409	CERAMIC 0.1U Z 25V
				403 070 2606	CERAMIC 0.1U Z 50V
			C135	403 070 2606	CERAMIC 0.1U Z 50V
			C136	403 194 4609	ELECT 470U M 16V
			C137	403 070 2606	CERAMIC 0.1U Z 50V
			C140	403 069 9500	CERAMIC 0.01U Z 50V
			C145	403 024 2102	CERAMIC 39P J 50V
			C201	403 270 3908	MT-POLYEST 0.47U K 63V
				403 256 0808	MT-COMPO 0.47U J 50V
			C203	403 068 0409	CERAMIC 0.1U Z 25V
				403 070 2606	CERAMIC 0.1U Z 50V
			C204	403 070 2606	CERAMIC 0.1U Z 50V
			C205	403 068 0409	CERAMIC 0.1U Z 25V
				403 070 2606	CERAMIC 0.1U Z 50V
			C206	403 068 0409	CERAMIC 0.1U Z 25V
				403 070 2606	CERAMIC 0.1U Z 50V
			C207	403 068 0409	CERAMIC 0.1U Z 25V
				403 070 2606	CERAMIC 0.1U Z 50V
			C208	403 233 0807	ELECT 10U M 50V
			C209	403 070 2606	CERAMIC 0.1U Z 50V
			C210	403 068 0409	CERAMIC 0.1U Z 25V
				403 070 2606	CERAMIC 0.1U Z 50V
			C211	403 073 9107	CERAMIC 4700P K 50V
			C212	403 057 3107	POLYESTER 0.1U K 50V
				403 181 8207	POLYESTER 0.1U K 50V
			C215	403 014 3409	CERAMIC 18P J 50V
<b>INTEGRATED CIRCUIT</b>					
IC001	409 379 2903	IC TA8200AH			
IC051	409 375 9401	IC TA8216H			
IC101	409 380 8703	IC TDA8361/N5			
IC270	409 291 0605	IC TDA4661/V2			
	409 352 0803	IC TDA4665/V3			
IC671	409 367 2809	IC BA178M09T			
	409 370 0007	IC MC78M09CT			
	409 366 7904	IC UPC78M09AHF			
IC672	409 241 5407	IC BA178M05T			
	409 172 1509	IC MC78M05CT			
	409 320 5700	IC UPC78M05AHF			
IC673	409 365 2801	IC BA178M08T			
	409 366 1704	IC MC78M08CT			
	409 317 7205	IC UPC78M08AHF			
IC801	410 274 6408	IC M37207MF-061SP			
IC802	409 285 5401	IC 24C04A/P			
	409 343 6302	IC 24LC04B/P			
<b>CAPACITOR</b>					
C001	403 248 1400	ELECT		1U M	50V
C002	403 248 1400	ELECT		1U M	50V
C003	403 233 0609	ELECT		47U M	25V
C004	403 063 0206	POLYESTER		6800P K	50V
	403 179 0305	POLYESTER		6800P K	50V
C005	403 063 0206	POLYESTER		6800P K	50V

Ref. No.	Part No.	Description	Ref. No.	Part No.	Description
C216	403 201 5001	ELECT 330U M 16V	R126	401 038 7700	MT-GLAZE 5.6K JA 1/10W
C218	403 014 9203	CERAMIC 180P J 50V	R127	401 037 5202	MT-GLAZE 100 JA 1/10W
C221	403 068 0409	CERAMIC 0.1U Z 25V	R129	401 038 6505	MT-GLAZE 47K JA 1/10W
	403 070 2606	CERAMIC 0.1U Z 50V	R131	401 038 9209	MT-GLAZE 6.8K JA 1/10W
C242	403 069 9500	CERAMIC 0.01U Z 50V	R132	401 038 6505	MT-GLAZE 47K JA 1/10W
C260	403 069 9500	CERAMIC 0.01U Z 50V	R133	401 037 9101	MT-GLAZE 180 JA 1/10W
C261	403 014 9203	CERAMIC 180P J 50V	R134	401 024 7004	CARBON 1K JA 1/6W
C262	403 026 2803	CERAMIC 47P J 50V	R137	401 027 5205	CARBON 680 JA 1/6W
C270	403 072 3403	CERAMIC 0.022U Z 50V	R139	401 025 3807	CARBON 180 JA 1/6W
C271	403 069 1702	CERAMIC 1000P K 50V	R140	401 024 7004	CARBON 1K JA 1/6W
C272	403 069 1702	CERAMIC 1000P K 50V	R141	401 037 5400	MT-GLAZE 1K JA 1/10W
C275	403 248 1905	ELECT 10U M 16V	R142	401 038 2101	MT-GLAZE 2.7K JA 1/10W
C371	403 233 0302	ELECT 100U M 16V	R144	401 027 8305	CARBON 820 JA 1/6W
C372	403 069 9500	CERAMIC 0.01U Z 50V	R145	401 027 5007	CARBON 68 JA 1/6W
C373	403 073 9107	CERAMIC 4700P K 50V	R151	401 038 5003	MT-GLAZE 390 JA 1/10W
C374	403 073 9107	CERAMIC 4700P K 50V	R152	401 037 5400	MT-GLAZE 1K JA 1/10W
C375	403 086 2300	NP-ELECT 1U M 50V	R1801	401 037 5608	MT-GLAZE 10K JA 1/10W
C377	403 063 0206	POLYESTER 6800P K 50V	R1802	401 037 5202	MT-GLAZE 100 JA 1/10W
	403 179 0305	POLYESTER 6800P K 50V	R1810	401 037 5608	MT-GLAZE 10K JA 1/10W
C671	403 194 4609	ELECT 470U M 16V	R1811	401 037 5608	MT-GLAZE 10K JA 1/10W
C672	403 208 6308	ELECT 220U M 16V	R1816	401 024 7400	CARBON 10K JA 1/6W
C673	403 208 6308	ELECT 220U M 16V	R1821	401 024 6700	CARBON 100 JA 1/6W
C801	403 248 1608	ELECT 47U M 16V	R1822	401 025 8208	CARBON 22K JA 1/6W
C802	403 069 9500	CERAMIC 0.01U Z 50V	R1823	401 024 6700	CARBON 100 JA 1/6W
C803	403 248 2001	ELECT 4.7U M 25V	R1824	401 024 6700	CARBON 100 JA 1/6W
C804	403 248 1400	ELECT 1U M 50V	R1826	401 037 5004	MT-GLAZE 0.000 ZA 1/10W
C805	403 248 1400	ELECT 1U M 50V	R1827	401 024 6700	CARBON 100 JA 1/6W
C806	403 248 2001	ELECT 4.7U M 25V	R1828	401 024 6700	CARBON 100 JA 1/6W
C810	403 041 8804	ELECT 10U M 16V	R1829	401 037 5004	MT-GLAZE 0.000 ZA 1/10W
C811	403 068 0409	CERAMIC 0.1U Z 25V	R1831	401 037 5202	MT-GLAZE 100 JA 1/10W
	403 070 2606	CERAMIC 0.1U Z 50V	R1832	401 038 7700	MT-GLAZE 5.6K JA 1/10W
C812	403 068 0409	CERAMIC 0.1U Z 25V	R1835	401 037 5608	MT-GLAZE 10K JA 1/10W
	403 070 2606	CERAMIC 0.1U Z 50V	R1836	401 037 5202	MT-GLAZE 100 JA 1/10W
C815	403 028 4102	CERAMIC 56P J 50V	R202	401 037 5004	MT-GLAZE 0.000 ZA 1/10W
C819	403 060 5402	POLYESTER 3300P J 50V	R203	401 037 7800	MT-GLAZE 150 JA 1/10W
	403 179 1906	POLYESTER 3300P J 50V	R204	401 038 2200	MT-GLAZE 27K JA 1/10W
C820	403 069 8305	CERAMIC 0.01U Z 50V	R207	401 037 5202	MT-GLAZE 100 JA 1/10W
			R208	401 037 5202	MT-GLAZE 100 JA 1/10W
			R209	401 037 5202	MT-GLAZE 100 JA 1/10W
<b>RESISTOR</b>			R210	401 024 7004	CARBON 1K JA 1/6W
RC807	401 024 7400	CARBON 10K JA 1/6W	R211	401 037 5400	MT-GLAZE 1K JA 1/10W
RJ165	401 026 6609	CARBON 390 JA 1/6W	R212	401 037 5400	MT-GLAZE 1K JA 1/10W
R001	401 038 6406	MT-GLAZE 4.7K JA 1/10W	R213	401 037 5202	MT-GLAZE 100 JA 1/10W
R002	401 037 9200	MT-GLAZE 1.8K JA 1/10W	R214	401 037 5202	MT-GLAZE 100 JA 1/10W
R003	401 038 6406	MT-GLAZE 4.7K JA 1/10W	R215	401 037 5202	MT-GLAZE 100 JA 1/10W
R004	401 037 9200	MT-GLAZE 1.8K JA 1/10W	R221	401 037 5707	MT-GLAZE 100K JA 1/10W
R005	401 037 5004	MT-GLAZE 0.000 ZA 1/10W	R228	401 037 5608	MT-GLAZE 10K JA 1/10W
R006	401 037 5004	MT-GLAZE 0.000 ZA 1/10W	R229	401 027 6608	CARBON 75 JA 1/6W
R007	401 008 3701	CARBON 2.2 JA 1/2W	R230	401 027 6608	CARBON 75 JA 1/6W
R008	401 008 3701	CARBON 2.2 JA 1/2W	R231	401 027 6608	CARBON 75 JA 1/6W
R009	401 024 7004	CARBON 1K JA 1/6W	R232	401 037 9200	MT-GLAZE 1.8K JA 1/10W
R012	401 010 7605	CARBON 560 JA 1/2W	R237	401 024 7400	CARBON 10K JA 1/6W
R013	401 010 7605	CARBON 560 JA 1/2W	R238	401 037 5608	MT-GLAZE 10K JA 1/10W
R014	402 071 0000	WIRE WOUND 5W	R239	401 039 0403	MT-GLAZE 8.2K JA 1/10W
	402 075 1508	WIRE WOUND 1 KA 5W	R240	401 024 7004	CARBON 1K JA 1/6W
R052	401 038 0701	MT-GLAZE 2.2K JA 1/10W	R241	401 026 6609	CARBON 390 JA 1/6W
R053	401 037 5004	MT-GLAZE 0.000 ZA 1/10W	R242	401 024 7400	CARBON 10K JA 1/6W
R054	401 026 9907	CARBON 4.7K JA 1/6W	R243	401 024 7004	CARBON 1K JA 1/6W
R056	401 037 5004	MT-GLAZE 0.000 ZA 1/10W	R244	401 026 4308	CARBON 3.3K JA 1/6W
R057	401 037 5004	MT-GLAZE 0.000 ZA 1/10W	R245	401 039 0304	MT-GLAZE 820 JA 1/10W
R058	401 038 0701	MT-GLAZE 2.2K JA 1/10W	R246	401 037 5400	MT-GLAZE 1K JA 1/10W
R059	401 026 9907	CARBON 4.7K JA 1/6W	R247	401 037 5608	MT-GLAZE 10K JA 1/10W
R061	401 037 5004	MT-GLAZE 0.000 ZA 1/10W	R248	401 024 7004	CARBON 1K JA 1/6W
R063	401 008 3701	CARBON 2.2 JA 1/2W	R249	401 038 2101	MT-GLAZE 2.7K JA 1/10W
R064	401 008 3701	CARBON 2.2 JA 1/2W	R252	401 010 1504	CARBON 4.7 JA 1/2W
R065	401 010 7605	CARBON 560 JA 1/2W	R260	401 038 9001	MT-GLAZE 680 JA 1/10W
R066	401 010 7605	CARBON 560 JA 1/2W	R261	401 038 2200	MT-GLAZE 27K JA 1/10W
R069	401 024 7004	CARBON 1K JA 1/6W	R262	401 037 5004	MT-GLAZE 0.000 ZA 1/10W
R102	401 037 5004	MT-GLAZE 0.000 ZA 1/10W	R265TM	401 025 1308	CARBON 150 JA 1/6W
R103	401 024 6700	CARBON 100 JA 1/6W	R272	401 037 5004	MT-GLAZE 0.000 ZA 1/10W
R104	401 038 7700	MT-GLAZE 5.6K JA 1/10W	R275	401 024 6700	CARBON 100 JA 1/6W
R105	401 037 5400	MT-GLAZE 1K JA 1/10W	R278	401 037 5400	MT-GLAZE 1K JA 1/10W
R106	401 025 7409	CARBON 220 JA 1/6W	R279	401 037 5400	MT-GLAZE 1K JA 1/10W
R107	401 026 0409	CARBON 27 JA 1/6W	R280	401 024 6700	CARBON 100 JA 1/6W
R112	401 025 7409	CARBON 220 JA 1/6W	R283	401 037 5004	MT-GLAZE 0.000 ZA 1/10W
R113	401 025 7409	CARBON 220 JA 1/6W	R371	401 038 6406	MT-GLAZE 4.7K JA 1/10W
R123	401 038 0909	MT-GLAZE 220K JA 1/10W	R372	401 024 6700	CARBON 100 JA 1/6W
R124	401 038 9209	MT-GLAZE 6.8K JA 1/10W			

Ref. No.	Part No.	Description	Ref. No.	Part No.	Description
R373	401 025 8208	CARBON 22K JA 1/6W	R891	401 037 8005	MT-GLAZE 15K JA 1/10W
R373A	401 024 9305	CARBON 1.2K JA 1/6W	R892	401 037 8005	MT-GLAZE 15K JA 1/10W
R374	401 025 8208	CARBON 22K JA 1/6W	R893	401 037 8005	MT-GLAZE 15K JA 1/10W
R375	401 038 5409	MT-GLAZE 390K JA 1/10W	R894	401 026 9907	CARBON 4.7K JA 1/6W
R376	401 024 6700	CARBON 100 JA 1/6W	R895	401 038 5300	MT-GLAZE 39K JA 1/10W
R377	401 038 5300	MT-GLAZE 39K JA 1/10W	R896	401 039 0403	MT-GLAZE 8.2K JA 1/10W
R378	401 038 5300	MT-GLAZE 39K JA 1/10W	R897	401 026 9907	CARBON 4.7K JA 1/6W
R379	401 024 7707	CARBON 100K JA 1/6W	R898	401 038 3702	MT-GLAZE 33K JA 1/10W
R380	401 024 8001	CARBON 1M JA 1/6W	R899	401 037 5202	MT-GLAZE 100 JA 1/10W
R381	401 024 6700	CARBON 100 JA 1/6W			
R382	401 038 6505	MT-GLAZE 47K JA 1/10W			
R445	401 037 5608	MT-GLAZE 10K JA 1/10W	<b>VARIABLE RESISTOR</b>		
R674	401 066 5204	OXIDE-MT 22 JA 2W	VR120	645 006 5422	VR, SEMI, 10K N
R675	401 066 9103	OXIDE-MT 27 JA 2W		645 011 6988	VR, SEMI, 10K N
R676	401 066 3002	OXIDE-MT 2.2 JA 2W	VR371	645 006 5422	VR, SEMI, 10K N
R677	401 065 5809	OXIDE-MT 15 JA 2W		645 011 6988	VR, SEMI, 10K N
R682	401 008 1608	CARBON 1.8K JA 1/2W			
R683	401 008 1608	CARBON 1.8K JA 1/2W	<b>TRANSFORMER</b>		
R800	401 038 2200	MT-GLAZE 27K JA 1/10W	T121	610 037 4522	S COIL
R801	401 037 5608	MT-GLAZE 10K JA 1/10W			
R802	401 027 2600	CARBON 5.6K JA 1/6W	<b>COIL</b>		
R803	401 024 6700	CARBON 100 JA 1/6W	L101	645 008 2863	INDUCTOR, 4.7U K
R804	401 037 5608	MT-GLAZE 10K JA 1/10W	L121	645 001 4567	INDUCTOR, 10U K
R805	401 037 5608	MT-GLAZE 10K JA 1/10W	L126	645 008 2924	INDUCTOR, 8.2U K
R806	401 024 6700	CARBON 100 JA 1/6W	L136	645 003 9782	INDUCTOR, 22U K
R808	401 027 0309	CARBON 47K JA 1/6W	L201	645 003 9799	INDUCTOR, 3.3U K
R809	401 024 6700	CARBON 100 JA 1/6W	L202	645 003 9799	INDUCTOR, 3.3U K
R810	401 024 6700	CARBON 100 JA 1/6W	L203	645 003 9799	INDUCTOR, 3.3U K
R812	401 024 7004	CARBON 1K JA 1/6W	L233	645 008 2863	INDUCTOR, 4.7U K
R813	401 038 9209	MT-GLAZE 6.8K JA 1/10W	L261	645 013 5026	INDUCTOR, 6.8U J
R814	401 038 0800	MT-GLAZE 22K JA 1/10W	L801	645 008 0203	INDUCTOR, 5.6U K
R815	401 038 5300	MT-GLAZE 39K JA 1/10W	L804	645 001 4697	INDUCTOR, 1.5U M
R817	401 024 9305	CARBON 1.2K JA 1/6W			
R818	401 037 8005	MT-GLAZE 15K JA 1/10W	<b>DIODE</b>		
R819	401 038 3702	MT-GLAZE 33K JA 1/10W	D001	407 004 8009	DIODE DSB015-TA
R821	401 024 7004	CARBON 1K JA 1/6W	D002	407 004 8009	DIODE DSB015-TA
R822	401 037 5608	MT-GLAZE 10K JA 1/10W	D061	407 004 8009	DIODE DSB015-TA
R823	401 038 3702	MT-GLAZE 33K JA 1/10W	D062	407 004 8009	DIODE DSB015-TA
R826	401 027 2600	CARBON 5.6K JA 1/6W	D063	407 004 8009	DIODE DSB015-TA
R827	401 037 5608	MT-GLAZE 10K JA 1/10W	D121	401 037 5004	MT-GLAZE 0.000 ZA 1/10W
R828	401 038 3603	MT-GLAZE 3.3K JA 1/10W	D135	407 063 8309	ZENER DIODE MTZJ11C
R831	401 038 5300	MT-GLAZE 39K JA 1/10W		407 158 3400	ZENER DIODE UZ-11BSC
R832	401 037 5004	MT-GLAZE 0.000 ZA 1/10W	D201	407 007 9904	DIODE GMA01
R833	401 037 7800	MT-GLAZE 150 JA 1/10W		407 012 4406	DIODE 1SS133
R834	401 038 5102	MT-GLAZE 3.9K JA 1/10W		407 012 5809	DIODE 1SS176
R835	401 037 7800	MT-GLAZE 150 JA 1/10W	D202	407 007 9904	DIODE GMA01
R836	401 038 5102	MT-GLAZE 3.9K JA 1/10W		407 012 4406	DIODE 1SS133
R837	401 037 5202	MT-GLAZE 100 JA 1/10W		407 012 5809	DIODE 1SS176
R838	401 037 5202	MT-GLAZE 100 JA 1/10W	D203	407 007 9904	DIODE GMA01
R839	401 024 6700	CARBON 100 JA 1/6W		407 012 4406	DIODE 1SS133
R840	401 024 6700	CARBON 100 JA 1/6W		407 012 5809	DIODE 1SS176
R841	401 038 0800	MT-GLAZE 22K JA 1/10W	D204	407 007 9904	DIODE GMA01
R842	401 038 9308	MT-GLAZE 68K JA 1/10W		407 012 4406	DIODE 1SS133
R843	401 027 2600	CARBON 5.6K JA 1/6W		407 012 5809	DIODE 1SS176
R844	401 037 5202	MT-GLAZE 100 JA 1/10W	D205	407 007 9904	DIODE GMA01
R846	401 037 5202	MT-GLAZE 100 JA 1/10W		407 012 4406	DIODE 1SS133
R847	401 037 5202	MT-GLAZE 100 JA 1/10W		407 012 5809	DIODE 1SS176
R848	401 037 5608	MT-GLAZE 10K JA 1/10W	D206	407 007 9904	DIODE GMA01
R849	401 037 5202	MT-GLAZE 100 JA 1/10W		407 012 4406	DIODE 1SS133
R850	401 037 5608	MT-GLAZE 10K JA 1/10W		407 012 5809	DIODE 1SS176
R851	401 037 5202	MT-GLAZE 100 JA 1/10W	D207	407 007 9904	DIODE GMA01
R852	401 037 8104	MT-GLAZE 150K JA 1/10W		407 012 4406	DIODE 1SS133
R853	401 038 9308	MT-GLAZE 68K JA 1/10W		407 012 5809	DIODE 1SS176
R855	401 037 5608	MT-GLAZE 10K JA 1/10W	D208	407 007 9904	DIODE GMA01
R856	401 038 9209	MT-GLAZE 6.8K JA 1/10W		407 012 4406	DIODE 1SS133
R857	401 038 6406	MT-GLAZE 4.7K JA 1/10W		407 012 5809	DIODE 1SS176
R858	401 039 0403	MT-GLAZE 8.2K JA 1/10W	D209	407 007 9904	DIODE GMA01
R859	401 037 7909	MT-GLAZE 1.5K JA 1/10W		407 012 4406	DIODE 1SS133
R860	401 025 8208	CARBON 22K JA 1/6W		407 012 5809	DIODE 1SS176
R861	401 038 5102	MT-GLAZE 3.9K JA 1/10W	D210	407 007 9904	DIODE GMA01
R862	401 025 8208	CARBON 22K JA 1/6W		407 012 4406	DIODE 1SS133
R863	401 025 4200	CARBON 1.8K JA 1/6W		407 012 5809	DIODE 1SS176
R864	401 038 6307	MT-GLAZE 470 JA 1/10W	D211	407 004 8009	DIODE DSB015-TA
R866	401 025 8208	CARBON 22K JA 1/6W	D212TM	407 013 1206	DIODE 1S1555
R868	401 037 5400	MT-GLAZE 1K JA 1/10W	D221	401 037 5004	MT-GLAZE 0.000 ZA 1/10W
R869	401 037 5400	MT-GLAZE 1K JA 1/10W	D235	407 007 9904	DIODE GMA01
R870	401 037 5400	MT-GLAZE 1K JA 1/10W		407 012 4406	DIODE 1SS133
				407 012 5809	DIODE 1SS176

Ref. No.	Part No.	Description	Ref. No.	Part No.	Description
D241	407 004 8009	DIODE DSB015-TA	<b>INTEGRATED CIRCUIT</b>		
D275	407 053 6407	ZENER DIODE MTZ5.1C	IC1301	409 018 3902	IC LA6393D
	407 056 8200	ZENER DIODE RD5.1EB3	IC1302	409 301 2803	IC MN1381-Q
	407 163 8209	ZENER DIODE UZ-5.1BCC	IC1303	410 260 8300	IC M34225M1-548SP
D371	407 063 8309	ZENER DIODE MTZJ11C	IC1304	409 203 2901	IC SN74LS123M-R
	407 158 3400	ZENER DIODE UZ-11BSC	IC2001	409 262 9408	IC AN5342K
D682	407 007 9904	DIODE GMA01	IC2501	409 004 8706	IC CX20125
	407 012 4406	DIODE 1SS133	<b>CAPACITOR</b>		
	407 012 5809	DIODE 1SS176	C1301	403 166 1506	NP-ELECT 47U M 16V
D683	407 004 8009	DIODE DSB015-TA	C1302	403 069 1702	CERAMIC 1000P K 50V
D684	407 007 9904	DIODE GMA01	C1303	403 023 4404	CERAMIC 330P J 50V
	407 012 4406	DIODE 1SS133	C1305	403 028 4102	CERAMIC 56P J 50V
	407 012 5809	DIODE 1SS176	C1306	403 200 0700	MT-POLYEST 0.1U J 50V
D685	407 007 9904	DIODE GMA01		403 243 6806	MT-COMPO 0.1U J 50V
	407 012 4406	DIODE 1SS133	C1316	403 069 9500	CERAMIC 0.01U Z 50V
	407 012 5809	DIODE 1SS176	C1317	403 069 9500	CERAMIC 0.01U Z 50V
D686	407 004 8009	DIODE DSB015-TA	C1318	403 244 1206	ELECT 100U M 10V
D688	407 007 9904	DIODE GMA01	C1319	403 069 9500	CERAMIC 0.01U Z 50V
	407 012 4406	DIODE 1SS133	C1321	403 013 3004	CERAMIC 150P J 50V
	407 012 5809	DIODE 1SS176	C1322	403 105 9501	CERAMIC 1000P J 50V
D801	407 071 5109	ZENER DIODE DZD3.6Z-TA	C1323	403 105 9501	CERAMIC 1000P J 50V
	407 175 3100	ZD 02CZ3.6Z(TE85R)	C1324	403 248 1608	ELECT 47U M 16V
D802	407 007 9904	DIODE GMA01	C1325	403 069 9500	CERAMIC 0.01U Z 50V
	407 012 4406	DIODE 1SS133	C1326	403 014 9203	CERAMIC 180P J 50V
	407 012 5809	DIODE 1SS176	C1331	403 233 1507	ELECT 4.7U M 50V
D803	407 004 8009	DIODE DSB015-TA	C1332	403 069 9500	CERAMIC 0.01U Z 50V
D804	407 004 8009	DIODE DSB015-TA	C1333	403 060 8403	POLYESTER 0.033U K 50V
D805	407 004 8009	DIODE DSB015-TA		403 179 1609	POLYESTER 0.033U K 50V
D806	407 063 8309	ZENER DIODE MTZJ11C	C1334	403 069 9500	CERAMIC 0.01U Z 50V
	407 158 3400	ZENER DIODE UZ-11BSC	C1335	403 233 1507	ELECT 4.7U M 50V
<b>MISCELLANEOUS</b>			C1341	403 061 4206	POLYESTER 0.039U K 50V
A101	645 009 0523	TUNER,U/V		403 179 1302	POLYESTER 0.039U K 50V
SW220	610 011 2728	SWITCH,LEVER 1P-3T	C2001	403 069 9500	CERAMIC 0.01U Z 50V
X101	421 002 2609	SAW F TSF5315	C2002	403 018 7403	CERAMIC 220P J 50V
X126	645 000 4490	TRAP,CERAMIC 6.5MHZ	C2003	403 258 3807	ELECT 0.22U M 50V
	610 015 3011	TRAP,CERAMIC 6.5MHZ	C2004	403 069 9500	CERAMIC 0.01U Z 50V
X127	610 015 3547	CERAMIC TRAP	C2005	403 069 9500	CERAMIC 0.01U Z 50V
	610 015 2854	TRAP,CERAMIC 5.5MHZ	C2006	403 248 2803	ELECT 2.2U M 50V
X201	645 000 2502	OSC,CRYSTAL 4.433619MHZ	C2007	403 257 0807	ELECT 0.47U M 50V
	610 239 3347	CRYSTAL OSCILLATOR	C2008	403 069 9500	CERAMIC 0.01U Z 50V
X801	645 000 6692	OSC,CERAMIC 8.00MHZ	C2009	403 018 7403	CERAMIC 220P J 50V
<b>610 262 4687 ASSY,PWB,SUB VIDEO F2JE</b>			C2010	403 069 9500	CERAMIC 0.01U Z 50V
<b>1AA0B10E28000A</b>			C2011	403 069 9500	CERAMIC 0.01U Z 50V
<b>TRANSISTOR</b>			C2012	403 069 9500	CERAMIC 0.01U Z 50V
Q1301	405 015 8704	TR 2SC2812-L6-TA	C2013	403 248 1509	ELECT 47U M 10V
Q1302	405 015 8704	TR 2SC2812-L6-TA	C2024	403 244 1206	ELECT 100U M 10V
Q1304	405 015 8704	TR 2SC2812-L6-TA	C2025	403 018 0503	CERAMIC 22P J 50V
Q1305	405 015 8704	TR 2SC2812-L6-TA	C2026	403 069 9500	CERAMIC 0.01U Z 50V
Q1306	405 015 8704	TR 2SC2812-L6-TA	C2031	403 258 3203	ELECT 22U M 16V
Q1309	405 015 8704	TR 2SC2812-L6-TA	C2032	403 018 0503	CERAMIC 22P J 50V
Q1311	405 015 8704	TR 2SC2812-L6-TA	C2033	403 030 6903	CERAMIC 68P J 50V
Q1313	405 015 8704	TR 2SC2812-L6-TA	C2034	403 248 1509	ELECT 47U M 10V
Q2021	405 015 8704	TR 2SC2812-L6-TA	C2035	403 069 9500	CERAMIC 0.01U Z 50V
Q2022	405 002 6706	TR 2SA1179-M6-TA	C2037	403 069 9500	CERAMIC 0.01U Z 50V
Q2023	405 002 6706	TR 2SA1179-M6-TA	C2038	403 069 9500	CERAMIC 0.01U Z 50V
Q2024	405 015 8704	TR 2SC2812-L6-TA	C2039	403 069 9500	CERAMIC 0.01U Z 50V
Q2041	405 015 8704	TR 2SC2812-L6-TA	C2041	403 069 9500	CERAMIC 0.01U Z 50V
Q2080	405 015 8704	TR 2SC2812-L6-TA	C2042	403 200 0700	MT-POLYEST 0.1U J 50V
Q2081	405 015 8704	TR 2SC2812-L6-TA		403 243 6806	MT-COMPO 0.1U J 50V
Q2082	405 002 6706	TR 2SA1179-M6-TA	C2043	403 069 9500	CERAMIC 0.01U Z 50V
Q2101	405 015 8704	TR 2SC2812-L6-TA	C2044	403 069 9500	CERAMIC 0.01U Z 50V
Q2102	405 015 8704	TR 2SC2812-L6-TA	C2045	403 166 1605	NP-ELECT 4.7U M 25V
Q2103	405 002 6706	TR 2SA1179-M6-TA		403 259 0102	NP-ELECT 4.7U M 25V
Q2104	405 015 8704	TR 2SC2812-L6-TA	C2046	403 069 9500	CERAMIC 0.01U Z 50V
Q2106	405 015 8704	TR 2SC2812-L6-TA	C2080	403 058 9306	POLYESTER 0.018U J 50V
Q2501	405 015 8704	TR 2SC2812-L6-TA		403 058 9702	POLYESTER 0.018U J 50V
Q2502	405 015 8704	TR 2SC2812-L6-TA	C2084	403 026 2803	CERAMIC 47P J 50V
Q2503	405 015 8704	TR 2SC2812-L6-TA	C2086	403 069 9500	CERAMIC 0.01U Z 50V
Q2504	405 015 8704	TR 2SC2812-L6-TA	C2087	403 030 6903	CERAMIC 68P J 50V
Q2505	405 015 8704	TR 2SC2812-L6-TA	C2088	403 244 1206	ELECT 100U M 10V
Q2506	405 015 8704	TR 2SC2812-L6-TA	C2092	403 014 9203	CERAMIC 180P J 50V
Q2507	405 015 8704	TR 2SC2812-L6-TA	C2101	403 060 8403	POLYESTER 0.033U K 50V
			C2102	403 069 9500	CERAMIC 0.01U Z 50V
			C2103	403 248 2001	ELECT 4.7U M 25V
			C2104	403 140 9207	NP-ELECT 10U M 16V
			C2105	403 248 1608	ELECT 47U M 16V

Ref. No.	Part No.	Description	Ref. No.	Part No.	Description
C2106	403 069 9500	CERAMIC 0.01U Z 50V	R2022	401 038 3504	MT-GLAZE 330 JA 1/10W
C2108	403 028 4102	CERAMIC 56P J 50V	R2023	401 038 2002	MT-GLAZE 270 JA 1/10W
C2501	403 248 1905	ELECT 10U M 16V	R2024	401 038 5003	MT-GLAZE 390 JA 1/10W
C2504	403 248 2001	ELECT 4.7U M 25V	R2025	401 037 7909	MT-GLAZE 1.5K JA 1/10W
C2507	403 069 9500	CERAMIC 0.01U Z 50V	R2026	401 038 0701	MT-GLAZE 2.2K JA 1/10W
C2508	403 248 1905	ELECT 10U M 16V	R2027	401 038 6307	MT-GLAZE 470 JA 1/10W
C2509	403 248 2001	ELECT 4.7U M 25V	R2028	401 038 6307	MT-GLAZE 470 JA 1/10W
C2510	403 200 0700	MT-POLYEST 0.1U J 50V	R2030	401 037 6704	MT-GLAZE 1.2K JA 1/10W
	403 243 6806	MT-COMPO 0.1U J 50V	R2031	401 037 7909	MT-GLAZE 1.5K JA 1/10W
C2511	403 248 1400	ELECT 1U M 50V	R2032	401 039 0304	MT-GLAZE 820 JA 1/10W
C2512	403 244 1206	ELECT 100U M 10V	R2033	401 038 6406	MT-GLAZE 4.7K JA 1/10W
C2513	403 069 9500	CERAMIC 0.01U Z 50V	R2034	401 037 5608	MT-GLAZE 10K JA 1/10W
C2514	403 069 1702	CERAMIC 1000P K 50V	R2035	401 037 5400	MT-GLAZE 1K JA 1/10W
C2515	403 074 9502	CERAMIC 680P K 50V	R2036	401 038 2002	MT-GLAZE 270 JA 1/10W
			R2037	401 039 0304	MT-GLAZE 820 JA 1/10W
			R2039	401 038 5003	MT-GLAZE 390 JA 1/10W
<b>RESISTOR</b>			R2041	401 038 3504	MT-GLAZE 330 JA 1/10W
R1301	401 037 5608	MT-GLAZE 10K JA 1/10W	R2042	401 037 5608	MT-GLAZE 10K JA 1/10W
R1302	401 038 2200	MT-GLAZE 27K JA 1/10W	R2043	401 037 5202	MT-GLAZE 100 JA 1/10W
R1303	401 037 5400	MT-GLAZE 1K JA 1/10W	R2044	401 037 9309	MT-GLAZE 18K JA 1/10W
R1304	401 037 6605	MT-GLAZE 120 JA 1/10W	R2045	401 038 3702	MT-GLAZE 33K JA 1/10W
R1305	401 038 5003	MT-GLAZE 390 JA 1/10W	R2046	401 038 9001	MT-GLAZE 680 JA 1/10W
R1306	401 038 0909	MT-GLAZE 220K JA 1/10W	R2047	401 037 5004	MT-GLAZE 0.000 ZA 1/10W
R1307	401 038 0800	MT-GLAZE 22K JA 1/10W	R2048	401 039 0403	MT-GLAZE 8.2K JA 1/10W
R1309	401 037 5202	MT-GLAZE 100 JA 1/10W	R2049	401 037 8005	MT-GLAZE 15K JA 1/10W
R1310	401 038 7502	MT-GLAZE 56 JA 1/10W	R2051	401 037 5400	MT-GLAZE 1K JA 1/10W
R1311	401 092 3106	MT-GLAZE 33K FA 1/10W	R2052	401 038 3603	MT-GLAZE 3.3K JA 1/10W
R1312	401 037 5806	MT-GLAZE 1M JA 1/10W	R2053	401 037 7909	MT-GLAZE 1.5K JA 1/10W
R1313	401 037 5608	MT-GLAZE 10K JA 1/10W	R2054	401 037 8005	MT-GLAZE 15K JA 1/10W
R1314	401 037 5608	MT-GLAZE 10K JA 1/10W	R2055	401 038 0800	MT-GLAZE 22K JA 1/10W
R1315	401 037 7800	MT-GLAZE 150 JA 1/10W	R2086	401 038 3702	MT-GLAZE 33K JA 1/10W
R1316	401 037 6803	MT-GLAZE 12K JA 1/10W	R2087	401 038 7700	MT-GLAZE 5.6K JA 1/10W
R1317	401 037 7909	MT-GLAZE 1.5K JA 1/10W	R2088	401 038 6406	MT-GLAZE 4.7K JA 1/10W
R1318	401 038 6406	MT-GLAZE 4.7K JA 1/10W	R2089	401 038 9209	MT-GLAZE 6.8K JA 1/10W
R1321	401 037 5400	MT-GLAZE 1K JA 1/10W	R2090	401 037 5202	MT-GLAZE 100 JA 1/10W
R1322	401 038 7601	MT-GLAZE 560 JA 1/10W	R2092	401 038 0701	MT-GLAZE 2.2K JA 1/10W
R1323	401 037 5608	MT-GLAZE 10K JA 1/10W	R2095	401 037 5608	MT-GLAZE 10K JA 1/10W
R1325	401 037 5400	MT-GLAZE 1K JA 1/10W	R2096	401 038 6406	MT-GLAZE 4.7K JA 1/10W
R1326	401 038 6406	MT-GLAZE 4.7K JA 1/10W	R2097	401 038 3504	MT-GLAZE 330 JA 1/10W
R1327	401 038 0800	MT-GLAZE 22K JA 1/10W	R2101	401 037 5608	MT-GLAZE 10K JA 1/10W
R1328	401 038 0800	MT-GLAZE 22K JA 1/10W	R2102	401 038 6406	MT-GLAZE 4.7K JA 1/10W
R1329	401 037 5400	MT-GLAZE 1K JA 1/10W	R2103	401 038 9209	MT-GLAZE 6.8K JA 1/10W
R1330	401 038 9001	MT-GLAZE 680 JA 1/10W	R2104	401 038 5102	MT-GLAZE 3.9K JA 1/10W
R1332	401 038 0800	MT-GLAZE 22K JA 1/10W	R2105	401 038 7700	MT-GLAZE 5.6K JA 1/10W
R1333	401 037 5608	MT-GLAZE 10K JA 1/10W	R2106	401 038 0701	MT-GLAZE 2.2K JA 1/10W
R1334	401 038 2200	MT-GLAZE 27K JA 1/10W	R2107	401 037 5400	MT-GLAZE 1K JA 1/10W
R1335	401 037 5608	MT-GLAZE 10K JA 1/10W	R2108	401 037 5202	MT-GLAZE 100 JA 1/10W
R1336	401 037 5608	MT-GLAZE 10K JA 1/10W	R2109	401 037 5400	MT-GLAZE 1K JA 1/10W
R1338	401 037 5608	MT-GLAZE 10K JA 1/10W	R2111	401 038 0701	MT-GLAZE 2.2K JA 1/10W
R1339	401 037 5202	MT-GLAZE 100 JA 1/10W	R2112	401 038 0909	MT-GLAZE 220K JA 1/10W
R1340	401 037 6803	MT-GLAZE 12K JA 1/10W	R2114	401 038 0701	MT-GLAZE 2.2K JA 1/10W
R1341	401 038 2101	MT-GLAZE 2.7K JA 1/10W	R2121	401 039 0403	MT-GLAZE 8.2K JA 1/10W
R1342	401 038 2101	MT-GLAZE 2.7K JA 1/10W	R2122	401 038 2200	MT-GLAZE 27K JA 1/10W
R1343	401 038 2101	MT-GLAZE 2.7K JA 1/10W	R2123	401 037 6704	MT-GLAZE 1.2K JA 1/10W
R1344	401 037 6308	MT-GLAZE 110K JA 1/10W	R2124	401 037 5004	MT-GLAZE 0.000 ZA 1/10W
R1346	401 038 1005	MT-GLAZE 2.2M JA 1/10W	R2501	401 157 0903	MT-GLAZE 3.9M JA 1/10W
R1347	401 037 5608	MT-GLAZE 10K JA 1/10W	R2502	401 037 5400	MT-GLAZE 1K JA 1/10W
R1348	401 037 5400	MT-GLAZE 1K JA 1/10W	R2503	401 037 5400	MT-GLAZE 1K JA 1/10W
R1349	401 037 8104	MT-GLAZE 150K JA 1/10W	R2504	401 037 5202	MT-GLAZE 100 JA 1/10W
R2000	401 038 2200	MT-GLAZE 27K JA 1/10W	R2505	401 037 5400	MT-GLAZE 1K JA 1/10W
R2002	401 037 5400	MT-GLAZE 1K JA 1/10W	R2507	401 037 6803	MT-GLAZE 12K JA 1/10W
R2003	401 038 0909	MT-GLAZE 220K JA 1/10W	R2508	401 038 9209	MT-GLAZE 6.8K JA 1/10W
R2004	401 038 3603	MT-GLAZE 3.3K JA 1/10W	R2509	401 037 5400	MT-GLAZE 1K JA 1/10W
R2005	401 038 9209	MT-GLAZE 6.8K JA 1/10W	R2510	401 038 3801	MT-GLAZE 330K JA 1/10W
R2006	401 037 6803	MT-GLAZE 12K JA 1/10W	R2512	401 037 5608	MT-GLAZE 10K JA 1/10W
R2007	401 037 6902	MT-GLAZE 120K JA 1/10W	R2514	401 037 6803	MT-GLAZE 12K JA 1/10W
R2008	401 037 9309	MT-GLAZE 18K JA 1/10W	R2515	401 038 3603	MT-GLAZE 3.3K JA 1/10W
R2010	401 037 8005	MT-GLAZE 15K JA 1/10W	R2516	401 037 5608	MT-GLAZE 10K JA 1/10W
R2011	401 112 7602	MT-GLAZE 1K FA 1/10W	R2517	401 037 5400	MT-GLAZE 1K JA 1/10W
R2012	401 038 9209	MT-GLAZE 6.8K JA 1/10W	R2518	401 037 5400	MT-GLAZE 1K JA 1/10W
R2013	401 037 5400	MT-GLAZE 1K JA 1/10W	R2519	401 037 5608	MT-GLAZE 10K JA 1/10W
R2014	401 038 9001	MT-GLAZE 680 JA 1/10W	R2520	401 038 0701	MT-GLAZE 2.2K JA 1/10W
R2015	401 037 6803	MT-GLAZE 12K JA 1/10W	R2521	401 037 5608	MT-GLAZE 10K JA 1/10W
R2016	401 037 8005	MT-GLAZE 15K JA 1/10W	R2522	401 037 5608	MT-GLAZE 10K JA 1/10W
R2017	401 037 6803	MT-GLAZE 12K JA 1/10W	R2523	401 038 5102	MT-GLAZE 3.9K JA 1/10W
R2018	401 038 6406	MT-GLAZE 4.7K JA 1/10W	R2524	401 038 7700	MT-GLAZE 5.6K JA 1/10W
R2019	401 037 5004	MT-GLAZE 0.000 ZA 1/10W	R2525	401 037 5400	MT-GLAZE 1K JA 1/10W
R2021	401 038 6208	MT-GLAZE 47 JA 1/10W			



Ref. No.	Part No.	Description	Ref. No.	Part No.	Description
R2526	401 037 5400	MT-GLAZE 1K JA 1/10W	C1023	403 009 5708	CERAMIC 100P J 50V
R2527	401 038 3702	MT-GLAZE 33K JA 1/10W	C1024	403 041 9405	ELECT 10U M 16V
<b>VARIABLE RESISTOR</b>			C1025	403 069 1702	CERAMIC 1000P K 50V
VR1301	610 235 8797	VR,SEMI,50K S	C1026	403 041 9405	ELECT 10U M 16V
VR1302	610 234 7272	VR,SEMI,20K S	C1027	403 009 5708	CERAMIC 100P J 50V
<b>COIL</b>			C1028	403 041 9405	ELECT 10U M 16V
L1301	645 008 2405	INDUCTOR,330U J	C1029	403 041 9405	ELECT 10U M 16V
L1305	645 008 2023	INDUCTOR,100U K	C1031	403 041 9405	ELECT 10U M 16V
L2001	645 008 2689	INDUCTOR,82U J	C1032	403 041 9405	ELECT 10U M 16V
L2011	645 008 1996	INDUCTOR,10U J	C1033	403 041 9405	ELECT 10U M 16V
L2021	645 008 1996	INDUCTOR,10U J	C1034	403 041 9405	ELECT 10U M 16V
L2022	645 008 1996	INDUCTOR,10U J	C1036	403 069 9500	CERAMIC 0.01U Z 50V
L2031	645 008 2689	INDUCTOR,82U J	C1037	403 069 9500	CERAMIC 0.01U Z 50V
<b>DIODE</b>			C1201	403 069 9500	CERAMIC 0.01U Z 50V
D2031	407 004 8009	DIODE DSB015-TA	C1202	403 043 9601	ELECT 47U M 16V
D2051	407 071 4805	ZENER DIODE DZD3.3Z-TA	C1203	403 042 8308	ELECT 22U M 16V
D2080	407 004 8009	DIODE DSB015-TA	C1204	403 042 8308	ELECT 22U M 16V
D2101	407 004 8009	DIODE DSB015-TA	C1205	403 043 9601	ELECT 47U M 16V
D2102	407 004 8009	DIODE DSB015-TA	C1206	403 069 9500	CERAMIC 0.01U Z 50V
D2103	407 004 8009	DIODE DSB015-TA	C1207	403 043 9601	ELECT 47U M 16V
D2511	407 004 8009	DIODE DSB015-TA	C1208	403 042 8308	ELECT 22U M 16V
D2512	407 004 8009	DIODE DSB015-TA	C1211	403 069 8305	CERAMIC 0.01U Z 50V
D2513	407 004 8009	DIODE DSB015-TA	C1212	403 047 0604	ELECT 4.7U M 25V
D2514	407 004 8009	DIODE DSB015-TA	C1213	403 043 9601	ELECT 47U M 16V
<b>MISCELLANEOUS</b>			C1214	403 043 9601	ELECT 47U M 16V
TP1310	645 008 4058	TERMINAL, PLUG	C1215	403 014 9203	CERAMIC 180P J 50V
TP1311	645 008 4058	TERMINAL, PLUG	C1218	403 043 9601	ELECT 47U M 16V
K20H	645 008 3365	PLUG,12P	C1219	403 041 9405	ELECT 10U M 16V
K20J	645 008 3365	PLUG,12P	C3301	403 069 9500	CERAMIC 0.01U Z 50V
X1301	645 006 1752	OSC,CERAMIC 4.000MHZ	C3302	403 069 9500	CERAMIC 0.01U Z 50V
<b>610 262 4694 ASSY,PWB,BACK TERM. F2JE 1AA0B10E28000B</b>			C3303	403 069 9500	CERAMIC 0.01U Z 50V
<b>TRANSISTOR</b>			C3304	403 069 9500	CERAMIC 0.01U Z 50V
Q1001	405 002 6706	TR 2SA1179-M6-TA	C3305	403 069 9500	CERAMIC 0.01U Z 50V
Q1002	405 015 8704	TR 2SC2812-L6-TA	C3306	403 069 9500	CERAMIC 0.01U Z 50V
Q1003	405 015 8704	TR 2SC2812-L6-TA	C3307	403 069 9500	CERAMIC 0.01U Z 50V
Q1031	405 015 8704	TR 2SC2812-L6-TA	C3308	403 069 9500	CERAMIC 0.01U Z 50V
Q1032	405 015 8704	TR 2SC2812-L6-TA	<b>RESISTOR</b>		
Q1033	405 015 8704	TR 2SC2812-L6-TA	R1001	401 038 7601	MT-GLAZE 560 JA 1/10W
Q1034	405 015 8704	TR 2SC2812-L6-TA	R1002	401 038 0701	MT-GLAZE 2.2K JA 1/10W
Q1201	405 015 8704	TR 2SC2812-L6-TA	R1003	401 038 7601	MT-GLAZE 560 JA 1/10W
Q1202	405 015 8704	TR 2SC2812-L6-TA	R1004	401 038 0701	MT-GLAZE 2.2K JA 1/10W
Q1203	405 015 8704	TR 2SC2812-L6-TA	R1006	401 038 5300	MT-GLAZE 39K JA 1/10W
Q1204	405 015 8704	TR 2SC2812-L6-TA	R1007	401 038 0800	MT-GLAZE 22K JA 1/10W
Q1205	405 015 8704	TR 2SC2812-L6-TA	R1010	401 027 6608	CARBON 75 JA 1/6W
Q1207	405 015 8704	TR 2SC2812-L6-TA	R1011	401 037 5202	MT-GLAZE 100 JA 1/10W
Q1208	405 015 8704	TR 2SC2812-L6-TA	R1012	401 027 6608	CARBON 75 JA 1/6W
Q1209	405 000 2205	TR DTA144ES	R1013	401 025 1308	CARBON 150 JA 1/6W
Q1210	405 015 8704	TR 2SC2812-L6-TA	R1014	401 027 6608	CARBON 75 JA 1/6W
Q1211	405 015 8704	TR 2SC2812-L6-TA	R1015	401 038 6406	MT-GLAZE 4.7K JA 1/10W
<b>INTEGRATED CIRCUIT</b>			R1016	401 019 1000	CARBON 390 JA 1/4W
IC1001	409 247 5708	IC TA8747N	R1017	401 037 5608	MT-GLAZE 10K JA 1/10W
<b>CAPACITOR</b>			R1020	401 038 3504	MT-GLAZE 330 JA 1/10W
C1001	403 069 1702	CERAMIC 1000P K 50V	R1021	401 038 7601	MT-GLAZE 560 JA 1/10W
C1002	403 041 9405	ELECT 10U M 16V	R1022	401 038 0701	MT-GLAZE 2.2K JA 1/10W
C1003	403 009 5708	CERAMIC 100P J 50V	R1023	401 038 7601	MT-GLAZE 560 JA 1/10W
C1004	403 041 9405	ELECT 10U M 16V	R1024	401 038 0701	MT-GLAZE 2.2K JA 1/10W
C1005	403 069 1702	CERAMIC 1000P K 50V	R1025	401 038 3603	MT-GLAZE 3.3K JA 1/10W
C1006	403 041 9405	ELECT 10U M 16V	R1026	401 038 0800	MT-GLAZE 22K JA 1/10W
C1007	403 009 5708	CERAMIC 100P J 50V	R1027	401 027 6608	CARBON 75 JA 1/6W
C1008	403 041 9405	ELECT 10U M 16V	R1028	401 027 6608	CARBON 75 JA 1/6W
C1009	403 041 9405	ELECT 10U M 16V	R1029	401 025 1308	CARBON 150 JA 1/6W
C1011	403 069 1702	CERAMIC 1000P K 50V	R1030	401 037 5004	MT-GLAZE 0.000 ZA 1/10W
C1014	403 014 9203	CERAMIC 180P J 50V	R1031	401 037 5004	MT-GLAZE 0.000 ZA 1/10W
C1020	403 014 9203	CERAMIC 180P J 50V	R1032	401 037 5004	MT-GLAZE 0.000 ZA 1/10W
C1021	403 069 1702	CERAMIC 1000P K 50V	R1033	401 038 7700	MT-GLAZE 5.6K JA 1/10W
C1022	403 041 9405	ELECT 10U M 16V	R1034	401 037 5400	MT-GLAZE 1K JA 1/10W
			R1035	401 038 7601	MT-GLAZE 560 JA 1/10W
			R1036	401 038 0909	MT-GLAZE 220K JA 1/10W
			R1037	401 039 0403	MT-GLAZE 8.2K JA 1/10W
			R1038	401 038 7700	MT-GLAZE 5.6K JA 1/10W
			R1039	401 037 5400	MT-GLAZE 1K JA 1/10W
			R1040	401 038 7601	MT-GLAZE 560 JA 1/10W
			R1041	401 038 0909	MT-GLAZE 220K JA 1/10W
			R1042	401 039 0403	MT-GLAZE 8.2K JA 1/10W
			R1201	401 037 5004	MT-GLAZE 0.000 ZA 1/10W
			R1202	401 038 3603	MT-GLAZE 3.3K JA 1/10W

Ref. No.	Part No.	Description	Ref. No.	Part No.	Description
R1203	401 037 5608	MT-GLAZE 10K JA 1/10W		407 063 8309	ZENER DIODE MTZJ11C
R1204	401 037 5608	MT-GLAZE 10K JA 1/10W	D1026	407 075 9905	ZENER DIODE EQA03-11A
R1205	401 038 0701	MT-GLAZE 2.2K JA 1/10W		407 063 8309	ZENER DIODE MTZJ11C
R1206	401 038 0701	MT-GLAZE 2.2K JA 1/10W	D1027	407 075 9905	ZENER DIODE EQA03-11A
R1207	401 038 6307	MT-GLAZE 470 JA 1/10W		407 063 8309	ZENER DIODE MTZJ11C
R1208	401 038 0701	MT-GLAZE 2.2K JA 1/10W	D1031	407 004 8009	DIODE DSB015-TA
R1209	401 038 6307	MT-GLAZE 470 JA 1/10W	D1032	407 004 8009	DIODE DSB015-TA
R1211	401 038 0602	MT-GLAZE 220 JA 1/10W	D1201	407 004 8009	DIODE DSB015-TA
R1212	401 038 0602	MT-GLAZE 220 JA 1/10W	D1202	407 004 8009	DIODE DSB015-TA
R1213	401 038 0701	MT-GLAZE 2.2K JA 1/10W	D1203	407 070 9207	ZENER DIODE DZD10X-TA
R1215	401 038 0701	MT-GLAZE 2.2K JA 1/10W		407 161 8102	ZENER DIODE UZM10X-T2
R1217	401 038 0701	MT-GLAZE 2.2K JA 1/10W	D1204	407 070 9207	ZENER DIODE DZD10X-TA
R1219	401 038 0701	MT-GLAZE 2.2K JA 1/10W		407 161 8102	ZENER DIODE UZM10X-T2
R1220	401 038 0602	MT-GLAZE 220 JA 1/10W	D1205	407 070 9207	ZENER DIODE DZD10X-TA
R1222	401 037 5004	MT-GLAZE 0.000 ZA 1/10W		407 161 8102	ZENER DIODE UZM10X-T2
R1223	401 037 5202	MT-GLAZE 100 JA 1/10W	D1206	407 075 9905	ZENER DIODE EQA03-11A
R1224	401 038 5300	MT-GLAZE 39K JA 1/10W		407 063 8309	ZENER DIODE MTZJ11C
R1225	401 037 5400	MT-GLAZE 1K JA 1/10W	<b>MISCELLANEOUS</b>		
R1226	401 037 5400	MT-GLAZE 1K JA 1/10W	K1001	645 018 9074	SOCKET,RGB 21P
R1227	401 037 5202	MT-GLAZE 100 JA 1/10W		610 217 6292	SOCKET 21P
R1228	401 037 5202	MT-GLAZE 100 JA 1/10W	K1002	645 018 9074	SOCKET,RGB 21P
R1229	401 037 5202	MT-GLAZE 100 JA 1/10W		610 217 6292	SOCKET 21P
R1230	401 038 7601	MT-GLAZE 560 JA 1/10W	K3301	645 017 1017	TERMINAL,BOARD
R1231	401 038 0602	MT-GLAZE 220 JA 1/10W		645 017 9044	TERMINAL,BOARD
R1232	401 038 0602	MT-GLAZE 220 JA 1/10W	K3302	645 017 9037	TERMINAL,BOARD
R1233	401 038 7601	MT-GLAZE 560 JA 1/10W		610 225 5317	SPEAKER TERMINAL
R1234	401 038 0602	MT-GLAZE 220 JA 1/10W	SW3301	610 011 2575	SLIDE SWITCH
R1235	401 038 0602	MT-GLAZE 220 JA 1/10W	<b>610 262 4700 ASSY,PWB,S1F F2JE 1AA0B10E28100A</b>		
R1237	401 037 5400	MT-GLAZE 1K JA 1/10W	<b>TRANSISTOR</b>		
R1238	401 037 5004	MT-GLAZE 0.000 ZA 1/10W	Q3802	405 109 4407	TR BC848-B
R1239	401 037 9200	MT-GLAZE 1.8K JA 1/10W		405 015 8704	TR 2SC2812-L6-TA
R1241	401 037 5608	MT-GLAZE 10K JA 1/10W	<b>INTEGRATED CIRCUIT</b>		
R1242	401 037 7800	MT-GLAZE 150 JA 1/10W	IC3801	409 290 4307	IC TDA2545A/V4
R1245	401 038 6406	MT-GLAZE 4.7K JA 1/10W	IC3811	409 376 6300	IC TDA9821/V1
R1246	401 038 7700	MT-GLAZE 5.6K JA 1/10W	<b>CAPACITOR</b>		
<b>COIL</b>			C3801	403 069 9500	CERAMIC 0.01U Z 50V
L1002	645 002 1787	CORE,PIPE	C3804	403 073 9107	CERAMIC 4700P K 50V
L1003	645 001 4567	INDUCTOR,10U K	C3805	403 166 8000	MT-POLYEST 0.33U J 63V
L1004	645 001 4567	INDUCTOR,10U K		403 260 2904	MT-COMPO 0.33U J 50V
L1005	645 001 4567	INDUCTOR,10U K	C3806	403 028 4102	CERAMIC 56P J 50V
L1006	645 001 4567	INDUCTOR,10U K	C3807	403 041 8804	ELECT 10U M 16V
L1011	645 008 2863	INDUCTOR,4.7U K	C3808	403 069 9500	CERAMIC 0.01U Z 50V
L1022	645 002 1787	CORE,PIPE	C3811	403 041 8804	ELECT 10U M 16V
L1023	645 001 4567	INDUCTOR,10U K	C3812	403 069 9500	CERAMIC 0.01U Z 50V
L1024	645 001 4567	INDUCTOR,10U K	C3813	403 049 9803	ELECT 2.2U M 50V
L1025	645 001 4567	INDUCTOR,10U K	C3814	403 049 9803	ELECT 2.2U M 50V
L1026	645 001 4567	INDUCTOR,10U K	C3815	403 049 9803	ELECT 2.2U M 50V
L1028	645 008 2863	INDUCTOR,4.7U K	<b>RESISTOR</b>		
L1211	645 008 2863	INDUCTOR,4.7U K	R3801	401 037 5004	MT-GLAZE 0.000 ZA 1/10W
L3301	645 008 5635	INDUCTOR,12U K	R3803	401 037 5004	MT-GLAZE 0.000 ZA 1/10W
L3302	645 008 5635	INDUCTOR,12U K	R3805	401 037 5004	MT-GLAZE 0.000 ZA 1/10W
L3303	645 008 5635	INDUCTOR,12U K	R3807	401 039 0304	MT-GLAZE 820 JA 1/10W
L3304	645 008 5635	INDUCTOR,12U K	R3808	401 038 7601	MT-GLAZE 560 JA 1/10W
L3305	645 008 5635	INDUCTOR,12U K	R3811	401 038 7601	MT-GLAZE 560 JA 1/10W
L3306	645 008 5635	INDUCTOR,12U K	R3814	401 038 7601	MT-GLAZE 560 JA 1/10W
L3307	645 008 5635	INDUCTOR,12U K	R3815	401 038 2200	MT-GLAZE 27K JA 1/10W
L3308	645 008 5635	INDUCTOR,12U K	R3845	401 037 5004	MT-GLAZE 0.000 ZA 1/10W
			R3846	401 037 5004	MT-GLAZE 0.000 ZA 1/10W
<b>DIODE</b>			<b>TRANSFORMER</b>		
D1002	407 075 9905	ZENER DIODE EQA03-11A	T3801	610 037 4522	S COIL
	407 063 8309	ZENER DIODE MTZJ11C	<b>MISCELLANEOUS</b>		
D1004	407 075 9905	ZENER DIODE EQA03-11A	K38H1	610 012 4561	TERMINAL 4P
	407 063 8309	ZENER DIODE MTZJ11C	K38H2	610 012 4561	TERMINAL 4P
D1005	407 075 9905	ZENER DIODE EQA03-11A	X3801	421 006 2902	SAW F OFWG9251M
	407 063 8309	ZENER DIODE MTZJ11C	X3811	645 003 2806	CERAMIC FILTER
D1007	407 075 9905	ZENER DIODE EQA03-11A	X3814	645 006 3022	CERAMIC FILTER 5.742MHZ
	407 063 8309	ZENER DIODE MTZJ11C			
D1008	407 075 9905	ZENER DIODE EQA03-11A			
	407 063 8309	ZENER DIODE MTZJ11C			
D1010	407 075 9905	ZENER DIODE EQA03-11A			
	407 063 8309	ZENER DIODE MTZJ11C			
D1011	407 075 9905	ZENER DIODE EQA03-11A			
	407 063 8309	ZENER DIODE MTZJ11C			
D1022	407 075 9905	ZENER DIODE EQA03-11A			
	407 063 8309	ZENER DIODE MTZJ11C			
D1024	407 075 9905	ZENER DIODE EQA03-11A			

Ref. No.	Part No.	Description	Ref. No.	Part No.	Description
<b>610 262 4717 ASSY,PWB,NICAM/DOLBY F2JE1AA0B10E28100B</b>			C3169	403 257 0807	ELECT 0.47U M 50V
			C3171	403 310 6302	ELECT 4.7U K 25V
			C3172	403 257 0807	ELECT 0.47U M 50V
			C3173	403 310 6302	ELECT 4.7U K 25V
			C3174	403 166 8307	MT-POLYEST 0.15U J 63V
				403 260 2300	MT-COMPO 0.15U J 50V
<b>TRANSISTOR</b>			C3176	403 050 6303	ELECT 3.3U K 50V
Q3481	405 014 4509	TR 2SC2412K-R	C3177	403 166 8307	MT-POLYEST 0.15U J 63V
	405 015 8704	TR 2SC2812-L6-TA		403 260 2300	MT-COMPO 0.15U J 50V
Q3482	405 014 4509	TR 2SC2412K-R	C3178	403 166 8307	MT-POLYEST 0.15U J 63V
	405 015 8704	TR 2SC2812-L6-TA		403 260 2300	MT-COMPO 0.15U J 50V
Q3483	405 014 4509	TR 2SC2412K-R	C3179	403 050 6303	ELECT 3.3U K 50V
	405 015 8704	TR 2SC2812-L6-TA	C3181	403 166 8307	MT-POLYEST 0.15U J 63V
Q3484	405 014 4509	TR 2SC2412K-R		403 260 2300	MT-COMPO 0.15U J 50V
	405 015 8704	TR 2SC2812-L6-TA	C3182	403 310 6302	ELECT 4.7U K 25V
<b>INTEGRATED CIRCUIT</b>			C3183	403 257 0807	ELECT 0.47U M 50V
IC3101	409 379 0909	IC JLC1562BN	C3184	403 310 6302	ELECT 4.7U K 25V
IC3121	409 376 0308	IC TDA9860/N2	C3185	403 257 0807	ELECT 0.47U M 50V
IC3151	409 349 0304	IC LV1011	C3186	403 166 6808	MT-POLYEST 0.1U J 63V
IC3161	409 297 7806	IC LA2785		403 237 8007	MT-COMPO 0.1U J 50V
IC3201	409 376 0308	IC TDA9860/N2	C3187	403 166 6808	MT-POLYEST 0.1U J 63V
IC3401	409 371 6206	IC TDA9840/V2		403 237 8007	MT-COMPO 0.1U J 50V
IC3451	QSAA7283ZPM2	IC SAA7283ZP/M2	C3188	403 248 1400	ELECT 1U M 50V
<b>CAPACITOR</b>			C3189	403 248 1400	ELECT 1U M 50V
C3101	403 069 9500	CERAMIC 0.01U Z 50V	C3190	403 208 6308	ELECT 220U M 16V
C3102	403 248 1905	ELECT 10U M 16V	C3191	403 248 1905	ELECT 10U M 16V
C3105	403 248 1608	ELECT 47U M 16V	C3192	403 248 1905	ELECT 10U M 16V
C3121	403 069 9500	CERAMIC 0.01U Z 50V	C3193	403 248 1905	ELECT 10U M 16V
C3122	403 058 1300	POLYESTER 1500P K 50V	C3194	403 248 1905	ELECT 10U M 16V
	403 179 3306	POLYESTER 1500P K 50V	C3195	403 208 6308	ELECT 220U M 16V
C3123	403 069 9500	CERAMIC 0.01U Z 50V	C3196	403 061 9805	POLYESTER 0.047U J 50V
C3124	403 069 9500	CERAMIC 0.01U Z 50V		403 179 1005	POLYESTER 0.047U J 50V
C3126	403 058 1300	POLYESTER 1500P K 50V	C3197	403 059 5208	POLYESTER 0.022U J 50V
	403 179 3306	POLYESTER 1500P K 50V		403 179 2507	POLYESTER 0.022U J 50V
C3128	403 248 1905	ELECT 10U M 16V	C3201	403 069 9500	CERAMIC 0.01U Z 50V
C3129	403 060 8403	POLYESTER 0.033U K 50V	C3202	403 069 9500	CERAMIC 0.01U Z 50V
	403 179 1609	POLYESTER 0.033U K 50V	C3203	403 058 1300	POLYESTER 1500P K 50V
C3130	403 248 1905	ELECT 10U M 16V		403 179 3306	POLYESTER 1500P K 50V
C3131	403 062 5301	POLYESTER 5600P K 50V	C3204	403 069 9500	CERAMIC 0.01U Z 50V
	403 179 0701	POLYESTER 5600P K 50V	C3206	403 058 1300	POLYESTER 1500P K 50V
C3132	403 248 1905	ELECT 10U M 16V		403 179 3306	POLYESTER 1500P K 50V
C3133	403 248 1905	ELECT 10U M 16V	C3207	403 248 1905	ELECT 10U M 16V
C3134	403 062 5301	POLYESTER 5600P K 50V	C3208	403 060 8403	POLYESTER 0.033U K 50V
	403 179 0701	POLYESTER 5600P K 50V		403 179 1609	POLYESTER 0.033U K 50V
C3136	403 060 8403	POLYESTER 0.033U K 50V	C3209	403 062 5301	POLYESTER 5600P K 50V
	403 179 1609	POLYESTER 0.033U K 50V		403 179 0701	POLYESTER 5600P K 50V
C3137	403 248 1905	ELECT 10U M 16V	C3211	403 248 1905	ELECT 10U M 16V
C3138	403 069 9500	CERAMIC 0.01U Z 50V	C3212	403 248 1905	ELECT 10U M 16V
C3139	403 248 1905	ELECT 10U M 16V	C3213	403 062 5301	POLYESTER 5600P K 50V
C3141	403 248 1400	ELECT 1U M 50V		403 179 0701	POLYESTER 5600P K 50V
C3142	403 233 0302	ELECT 100U M 16V	C3214	403 060 8403	POLYESTER 0.033U K 50V
C3143	403 248 1400	ELECT 1U M 50V		403 179 1609	POLYESTER 0.033U K 50V
C3144	403 069 9500	CERAMIC 0.01U Z 50V	C3216	403 248 1905	ELECT 10U M 16V
C3151	403 022 8205	CERAMIC 33P J 50V	C3218	403 069 9500	CERAMIC 0.01U Z 50V
C3152	403 022 8205	CERAMIC 33P J 50V	C3219	403 166 6808	MT-POLYEST 0.1U J 63V
C3153	403 208 6308	ELECT 220U M 16V		403 237 8007	MT-COMPO 0.1U J 50V
C3154	403 060 7604	POLYESTER 0.033U J 50V	C3221	403 233 0302	ELECT 100U M 16V
	403 179 1708	POLYESTER 0.033U J 50V	C3222	403 069 9500	CERAMIC 0.01U Z 50V
C3155	403 058 0501	POLYESTER 1500P J 50V	C3223	403 069 9500	CERAMIC 0.01U Z 50V
	403 179 3405	POLYESTER 1500P J 50V	C3230	403 233 0302	ELECT 100U M 16V
C3156	403 060 7604	POLYESTER 0.033U J 50V	C3401	403 248 1905	ELECT 10U M 16V
	403 179 1708	POLYESTER 0.033U J 50V	C3402	403 069 5601	CERAMIC 0.01U K 50V
C3157	403 248 1400	ELECT 1U M 50V	C3403	403 068 0409	CERAMIC 0.1U Z 25V
C3158	403 248 1400	ELECT 1U M 50V		403 070 2606	CERAMIC 0.1U Z 50V
C3159	403 233 0807	ELECT 10U M 50V	C3404	403 310 5008	CERAMIC 3300P G 25V
C3160	403 069 9500	CERAMIC 0.01U Z 50V	C3405	403 233 0302	ELECT 100U M 16V
C3161	403 248 2803	ELECT 2.2U M 50V	C3406	403 069 9500	CERAMIC 0.01U Z 50V
C3162	403 031 1808	CERAMIC 680P J 50V	C3407	403 026 2803	CERAMIC 47P J 50V
C3163	403 248 1905	ELECT 10U M 16V	C3408	403 248 2803	ELECT 2.2U M 50V
C3164	403 166 7706	MT-POLYEST 0.47U J 63V	C3409	403 248 2803	ELECT 2.2U M 50V
	403 256 0808	MT-COMPO 0.47U J 50V	C3411	403 069 5601	CERAMIC 0.01U K 50V
C3165	403 069 9500	CERAMIC 0.01U Z 50V	C3412	403 069 5601	CERAMIC 0.01U K 50V
C3166	403 248 2001	ELECT 4.7U M 25V	C3414	403 248 2803	ELECT 2.2U M 50V
C3167	403 166 6808	MT-POLYEST 0.1U J 63V	C3421	403 069 9500	CERAMIC 0.01U Z 50V
	403 237 8007	MT-COMPO 0.1U J 50V	C3422	403 248 1905	ELECT 10U M 16V
C3168	403 166 6808	MT-POLYEST 0.1U J 63V	C3434	403 068 0409	CERAMIC 0.1U Z 25V
	403 237 8007	MT-COMPO 0.1U J 50V		403 070 2606	CERAMIC 0.1U Z 50V

Ref. No.	Part No.	Description	Ref. No.	Part No.	Description
C3452	401 037 5004	MT-GLAZE 0.000 ZA 1/10W	R3463	401 037 5608	MT-GLAZE 10K JA 1/10W
C3458	403 073 3501	CERAMIC 390P K 50V	R3464	401 038 6505	MT-GLAZE 47K JA 1/10W
C3461	403 069 9500	CERAMIC 0.01U Z 50V	R3465	401 037 5806	MT-GLAZE 1M JA 1/10W
C3462	403 248 1905	ELECT 10U M 16V	R3466	401 037 5608	MT-GLAZE 10K JA 1/10W
C3463	403 008 7406	CERAMIC 10P D 50V	R3467	401 038 9407	MT-GLAZE 680K JA 1/10W
C3464	403 248 1905	ELECT 10U M 16V	R3468	401 037 9200	MT-GLAZE 1.8K JA 1/10W
C3465	403 018 7403	CERAMIC 220P J 50V	R3469	401 038 3702	MT-GLAZE 33K JA 1/10W
C3466	403 069 9500	CERAMIC 0.01U Z 50V	R3471	401 037 5202	MT-GLAZE 100 JA 1/10W
C3467	403 248 1905	ELECT 10U M 16V	R3472	401 037 5202	MT-GLAZE 100 JA 1/10W
C3468	403 069 9500	CERAMIC 0.01U Z 50V	R3473	401 038 3603	MT-GLAZE 3.3K JA 1/10W
C3469	403 248 1400	ELECT 1U M 50V	R3474	401 038 6406	MT-GLAZE 4.7K JA 1/10W
C3471	403 069 9500	CERAMIC 0.01U Z 50V	R3475	401 038 6406	MT-GLAZE 4.7K JA 1/10W
C3472	403 248 1905	ELECT 10U M 16V	R3476	401 038 3603	MT-GLAZE 3.3K JA 1/10W
C3473	403 072 1607	CERAMIC 0.022U K 50V	R3477	401 038 0701	MT-GLAZE 2.2K JA 1/10W
C3474	403 192 5905	CERAMIC 0.1U K 25V	R3479	401 038 0701	MT-GLAZE 2.2K JA 1/10W
	403 070 0909	CERAMIC 0.1U K 50V	R3481	401 038 0701	MT-GLAZE 2.2K JA 1/10W
C3475	403 026 2803	CERAMIC 47P J 50V	R3482	401 038 0701	MT-GLAZE 2.2K JA 1/10W
C3476	403 026 2803	CERAMIC 47P J 50V			
C3477	403 069 9500	CERAMIC 0.01U Z 50V	<b>TRANSFORMER</b>		
C3478	403 257 0807	ELECT 0.47U M 50V	T3401	645 015 7943	COIL,FERRITE 2.5M
C3480	403 192 5905	CERAMIC 0.1U K 25V			
	403 070 0909	CERAMIC 0.1U K 50V	<b>COIL</b>		
C3481	403 069 9500	CERAMIC 0.01U Z 50V	L3102	645 001 4567	INDUCTOR,10U K
C3482	403 248 1608	ELECT 47U M 16V	L3155	645 001 4567	INDUCTOR,10U K
C3483	403 069 9500	CERAMIC 0.01U Z 50V	L3162	645 008 2870	INDUCTOR,47U K
C3484	403 248 1608	ELECT 47U M 16V	L3452	645 008 2221	INDUCTOR,2.2U K
C3485	403 179 4501	NP-ELECT 0.47U M 50V	L3453	401 025 7102	CARBON 22 JA 1/6W
C3486	403 179 4501	NP-ELECT 0.47U M 50V	L3454	645 008 2221	INDUCTOR,2.2U K
C3487	403 069 9500	CERAMIC 0.01U Z 50V	L3455	645 008 2221	INDUCTOR,2.2U K
C3488	403 248 1608	ELECT 47U M 16V	L3461	645 008 1996	INDUCTOR,10U J
C3490	403 009 5708	CERAMIC 100P J 50V			
C3491	403 130 3604	CERAMIC 0.047U K 25V	<b>DIODE</b>		
	403 130 3109	CERAMIC 0.047U K 50V	D1251	407 048 8300	ZENER DIODE EQA02-15A
C3492	403 248 1905	ELECT 10U M 16V		407 063 8002	ZENER DIODE MTZ16A
C3493	403 069 9500	CERAMIC 0.01U Z 50V	D3101	407 005 4505	DIODE DS442X
C3494	403 248 1608	ELECT 47U M 16V		408 008 2406	DIODE 1N4148
C3495	403 248 1905	ELECT 10U M 16V		407 013 1206	DIODE 1S1555
				407 013 4207	DIODE 1S2076
				407 013 7109	DIODE 1S2473
<b>RESISTOR</b>			D3103	407 004 8009	DIODE DSB015-TA
R3101	401 037 5202	MT-GLAZE 100 JA 1/10W	D3104	407 004 8009	DIODE DSB015-TA
R3102	401 037 5202	MT-GLAZE 100 JA 1/10W	D3401	407 004 8009	DIODE DSB015-TA
R3103	401 037 5608	MT-GLAZE 10K JA 1/10W	D3402	407 004 8009	DIODE DSB015-TA
R3104	401 037 5608	MT-GLAZE 10K JA 1/10W	D3461	407 169 7909	VARACTOR DI BBY31
R3105	401 037 5004	MT-GLAZE 0.000 ZA 1/10W	D3462	407 004 8009	DIODE DSB015-TA
R3106	401 037 5608	MT-GLAZE 10K JA 1/10W			
R3108	401 037 5004	MT-GLAZE 0.000 ZA 1/10W	<b>MISCELLANEOUS</b>		
R3109	401 037 5004	MT-GLAZE 0.000 ZA 1/10W	X3151	645 017 1611	OSC,CERAMIC 8MHZ
R3110	401 024 7400	CARBON 10K JA 1/6W	X3401	645 015 7950	OSC,CRYSTAL 10MHZ
R3111	401 037 5004	MT-GLAZE 0.000 ZA 1/10W		645 016 6662	OSC,CRYSTAL 10MHZ
R3121	401 037 5202	MT-GLAZE 100 JA 1/10W	X3461	645 007 7449	OSC,CRYSTAL 8.192MHZ
R3122	401 037 5202	MT-GLAZE 100 JA 1/10W			
R3124	401 037 5202	MT-GLAZE 100 JA 1/10W	<b>610 262 0245 ASSY,PWB,MEGA TEXT F2JE</b>		
R3127	401 037 5202	MT-GLAZE 100 JA 1/10W	<b>1AA0B10E28200</b>		
R3128	401 037 5004	MT-GLAZE 0.000 ZA 1/10W			
R3131	401 037 5004	MT-GLAZE 0.000 ZA 1/10W	<b>TRANSISTOR</b>		
R3151	401 037 5806	MT-GLAZE 1M JA 1/10W	Q2901	405 015 8704	TR 2SC2812-L6-TA
R3155	401 147 9107	MT-GLAZE 39K FA 1/10W	Q2902	405 015 8704	TR 2SC2812-L6-TA
R3156	401 037 5202	MT-GLAZE 100 JA 1/10W	Q2903	405 015 8704	TR 2SC2812-L6-TA
R3157	401 037 5202	MT-GLAZE 100 JA 1/10W	Q2904	405 002 6706	TR 2SA1179-M6-TA
R3158	401 037 5202	MT-GLAZE 100 JA 1/10W	Q2905	405 015 8704	TR 2SC2812-L6-TA
R3161	401 037 5202	MT-GLAZE 100 JA 1/10W	Q2906	405 002 6706	TR 2SA1179-M6-TA
R3162	401 037 5202	MT-GLAZE 100 JA 1/10W	Q2907	405 002 6706	TR 2SA1179-M6-TA
R3163	401 037 5202	MT-GLAZE 100 JA 1/10W	Q2908	405 002 6706	TR 2SA1179-M6-TA
R3164	401 037 5004	MT-GLAZE 0.000 ZA 1/10W	Q2909	405 015 8704	TR 2SC2812-L6-TA
R3165	401 037 5004	MT-GLAZE 0.000 ZA 1/10W	Q2911	405 015 8704	TR 2SC2812-L6-TA
R3166	401 038 0206	MT-GLAZE 20K JA 1/10W	Q2912	405 015 8704	TR 2SC2812-L6-TA
R3181	401 037 5004	MT-GLAZE 0.000 ZA 1/10W	Q2913	405 015 8704	TR 2SC2812-L6-TA
R3183	401 037 5004	MT-GLAZE 0.000 ZA 1/10W			
R3201	401 037 5202	MT-GLAZE 100 JA 1/10W	<b>INTEGRATED CIRCUIT</b>		
R3202	401 037 5202	MT-GLAZE 100 JA 1/10W	IC2901	409 382 6509	IC SDA5273S
R3401	401 037 5202	MT-GLAZE 100 JA 1/10W	IC2902	410 231 0401	IC TC514400ASJ-80
R3402	401 037 5202	MT-GLAZE 100 JA 1/10W		410 234 1603	IC MB814400A-70P/JN
R3403	401 038 3108	MT-GLAZE 30K JA 1/10W		410 270 9700	IC MB814400A-70LP/JN
R3452	401 037 5004	MT-GLAZE 0.000 ZA 1/10W			
R3453	401 037 5004	MT-GLAZE 0.000 ZA 1/10W			
R3461	401 037 5400	MT-GLAZE 1K JA 1/10W			
R3462	401 037 5202	MT-GLAZE 100 JA 1/10W			

Ref. No.	Part No.	Description	Ref. No.	Part No.	Description
IC2931	409 241 5407	IC BA178M05T	L2905	645 001 4567	INDUCTOR,10U K
	409 172 1509	IC MC78M05CT	L2908	645 001 4567	INDUCTOR,10U K
	409 320 5700	IC UPC78M05AHF			
<b>CAPACITOR</b>			<b>DIODE</b>		
C2901	403 248 1905	ELECT 10U M 16V	D2901	407 055 7907	ZENER DIODE RD3.6EL
C2902	403 018 0503	CERAMIC 22P J 50V	D2902	407 055 7907	ZENER DIODE RD3.6EL
C2903	403 018 0503	CERAMIC 22P J 50V	D2921	407 004 8009	DIODE DSB015-TA
C2904	403 069 9500	CERAMIC 0.01U Z 50V	D2923	407 004 8009	DIODE DSB015-TA
C2905	403 192 5905	CERAMIC 0.1U K 25V	D2924	407 004 8009	DIODE DSB015-TA
	403 070 0909	CERAMIC 0.1U K 50V	D2925	407 004 8009	DIODE DSB015-TA
C2906	403 248 1905	ELECT 10U M 16V			
C2907	403 069 9500	CERAMIC 0.01U Z 50V	<b>MISCELLANEOUS</b>		
C2909	403 248 1608	ELECT 47U M 16V	IC2902A	645 011 2928	SOCKET, IC 20P
C2911	403 018 0503	CERAMIC 22P J 50V	K29A	645 004 2898	PLUG, 3P
C2912	403 009 5708	CERAMIC 100P J 50V	K29J	645 009 8185	SOCKET, PWB-PWB 11P
C2913	403 009 5708	CERAMIC 100P J 50V	X2901	645 021 2796	OSC, CRYSTAL 20.480MHZ
C2914	403 009 5708	CERAMIC 100P J 50V			
C2915	403 248 1905	ELECT 10U M 16V			
C2916	403 069 9500	CERAMIC 0.01U Z 50V	<b>610 262 3987 ASSY,PWB,3L-Y/C SEP.</b>		
C2918	403 069 9500	CERAMIC 0.01U Z 50V	<b>F2JE1AA0B10E29500</b>		
C2920	403 192 5905	CERAMIC 0.1U K 25V			
	403 070 0909	CERAMIC 0.1U K 50V	<b>TRANSISTOR</b>		
C2921	403 069 9500	CERAMIC 0.01U Z 50V	Q2801	405 039 3303	TR 2SC3114-R
C2922	403 069 9500	CERAMIC 0.01U Z 50V		405 039 3402	TR 2SC3114-S
C2923	403 192 5905	CERAMIC 0.1U K 25V		405 017 1901	TR 2SC3114-T
	403 070 0909	CERAMIC 0.1U K 50V		405 017 2106	TR 2SC3114-U
C2924	403 248 1905	ELECT 10U M 16V	Q2802	405 014 4509	TR 2SC2412K-R
C2925	403 192 5905	CERAMIC 0.1U K 25V		405 014 4608	TR 2SC2412K-S
	403 070 0909	CERAMIC 0.1U K 50V		405 015 8704	TR 2SC2812-L6-TA
C2926	403 248 1905	ELECT 10U M 16V		405 015 8902	TR 2SC2812-L7-TA
C2931	403 233 0302	ELECT 100U M 16V	Q2803	405 014 4509	TR 2SC2412K-R
C2932	403 233 0302	ELECT 100U M 16V		405 014 4608	TR 2SC2412K-S
C2933	403 069 9500	CERAMIC 0.01U Z 50V		405 015 8704	TR 2SC2812-L6-TA
				405 015 8902	TR 2SC2812-L7-TA
<b>RESISTOR</b>			Q2804	405 014 4509	TR 2SC2412K-R
R2901	401 037 5004	MT-GLAZE 0.000 ZA 1/10W		405 014 4608	TR 2SC2412K-S
R2902	401 037 5004	MT-GLAZE 0.000 ZA 1/10W		405 015 8704	TR 2SC2812-L6-TA
R2903	401 037 5400	MT-GLAZE 1K JA 1/10W		405 015 8902	TR 2SC2812-L7-TA
R2904	401 037 5608	MT-GLAZE 10K JA 1/10W	Q2805	405 002 0308	TR 2SA1037K-R
R2905	401 037 5400	MT-GLAZE 1K JA 1/10W		405 002 0407	TR 2SA1037K-S
R2906	401 037 5608	MT-GLAZE 10K JA 1/10W		405 002 6706	TR 2SA1179-M6-TA
R2908	401 037 5400	MT-GLAZE 1K JA 1/10W		405 002 6904	TR 2SA1179-M7-TA
R2909	401 037 5400	MT-GLAZE 1K JA 1/10W	Q2806	405 014 4509	TR 2SC2412K-R
R2910	401 038 0701	MT-GLAZE 2.2K JA 1/10W		405 014 4608	TR 2SC2412K-S
R2911	401 037 5400	MT-GLAZE 1K JA 1/10W		405 015 8704	TR 2SC2812-L6-TA
R2912	401 037 5400	MT-GLAZE 1K JA 1/10W		405 015 8902	TR 2SC2812-L7-TA
R2913	401 038 2200	MT-GLAZE 27K JA 1/10W	Q2807	405 014 4509	TR 2SC2412K-R
R2914	401 037 5608	MT-GLAZE 10K JA 1/10W		405 014 4608	TR 2SC2412K-S
R2915	401 037 5707	MT-GLAZE 100K JA 1/10W		405 015 8704	TR 2SC2812-L6-TA
R2916	401 038 3504	MT-GLAZE 330 JA 1/10W		405 015 8902	TR 2SC2812-L7-TA
R2917	401 037 5202	MT-GLAZE 100 JA 1/10W	Q2808	405 014 4509	TR 2SC2412K-R
R2918	401 038 3504	MT-GLAZE 330 JA 1/10W		405 014 4608	TR 2SC2412K-S
R2919	401 037 5202	MT-GLAZE 100 JA 1/10W		405 015 8704	TR 2SC2812-L6-TA
R2920	401 038 3504	MT-GLAZE 330 JA 1/10W		405 015 8902	TR 2SC2812-L7-TA
R2921	401 037 5202	MT-GLAZE 100 JA 1/10W	Q2809	405 014 4509	TR 2SC2412K-R
R2922	401 038 3603	MT-GLAZE 3.3K JA 1/10W		405 014 4608	TR 2SC2412K-S
R2923	401 037 7909	MT-GLAZE 1.5K JA 1/10W		405 015 8704	TR 2SC2812-L6-TA
R2924	401 037 5202	MT-GLAZE 100 JA 1/10W		405 015 8902	TR 2SC2812-L7-TA
R2925	401 037 5202	MT-GLAZE 100 JA 1/10W	Q2831	405 002 0308	TR 2SA1037K-R
R2926	401 037 5202	MT-GLAZE 100 JA 1/10W		405 002 0407	TR 2SA1037K-S
R2927	401 037 5608	MT-GLAZE 10K JA 1/10W		405 002 6706	TR 2SA1179-M6-TA
R2928	401 037 5400	MT-GLAZE 1K JA 1/10W		405 002 6904	TR 2SA1179-M7-TA
R2929	401 038 0800	MT-GLAZE 22K JA 1/10W	Q2832	405 002 0308	TR 2SA1037K-R
R2930	401 018 1605	CARBON 33 JA 1/4W		405 002 0407	TR 2SA1037K-S
R2931	401 037 5608	MT-GLAZE 10K JA 1/10W		405 002 6706	TR 2SA1179-M6-TA
R2932	401 037 5400	MT-GLAZE 1K JA 1/10W		405 002 6904	TR 2SA1179-M7-TA
R2933	401 037 5608	MT-GLAZE 10K JA 1/10W	Q2833	405 014 4509	TR 2SC2412K-R
R2934	401 037 7909	MT-GLAZE 1.5K JA 1/10W		405 014 4608	TR 2SC2412K-S
R2935	401 039 0403	MT-GLAZE 8.2K JA 1/10W		405 015 8704	TR 2SC2812-L6-TA
R2936	401 038 5003	MT-GLAZE 390 JA 1/10W		405 015 8902	TR 2SC2812-L7-TA
<b>COIL</b>			Q2834	405 014 4509	TR 2SC2412K-R
L2901	645 008 2863	INDUCTOR, 4.7U K		405 014 4608	TR 2SC2412K-S
L2902	645 008 2863	INDUCTOR, 4.7U K		405 015 8704	TR 2SC2812-L6-TA
L2903	645 001 4567	INDUCTOR, 10U K		405 015 8902	TR 2SC2812-L7-TA
L2904	645 001 4567	INDUCTOR, 10U K	Q2851	405 014 4509	TR 2SC2412K-R

Ref. No.	Part No.	Description	Ref. No.	Part No.	Description
Q2852	405 014 4608	TR 2SC2412K-S	C2840	403 070 2606	CERAMIC 0.1U Z 50V
	405 015 8704	TR 2SC2812-L6-TA	C2841	403 248 1608	ELECT 47U M 16V
	405 015 8902	TR 2SC2812-L7-TA	C2842	403 025 1609	CERAMIC 4P C 50V
	405 014 4509	TR 2SC2412K-R	C2851	403 248 1400	ELECT 1U M 50V
	405 014 4608	TR 2SC2412K-S	C2852	403 067 7805	MT-COMPO 0.47U J 50V
Q2853	405 015 8704	TR 2SC2812-L6-TA	C2853	403 179 4501	NP-ELECT 0.47U M 50V
	405 015 8902	TR 2SC2812-L7-TA	C2854	403 074 6600	CERAMIC 560P K 50V
	405 014 4509	TR 2SC2412K-R	C2855	403 070 2606	CERAMIC 0.1U Z 50V
	405 014 4608	TR 2SC2412K-S	C2856	403 248 1608	ELECT 47U M 16V
	405 015 8704	TR 2SC2812-L6-TA	C2857	403 069 1702	CERAMIC 1000P K 50V
Q2856	405 015 8902	TR 2SC2812-L7-TA	C2858	403 069 1702	CERAMIC 1000P K 50V
	405 014 4509	TR 2SC2412K-R	C2859	403 069 9500	CERAMIC 0.01U Z 50V
	405 014 4608	TR 2SC2412K-S	C2860	403 069 9500	CERAMIC 0.01U Z 50V
	405 015 8704	TR 2SC2812-L6-TA	C2861	403 248 1400	ELECT 1U M 50V
	405 015 8902	TR 2SC2812-L7-TA	C2862	403 248 1608	ELECT 47U M 16V
Q2857	405 002 0308	TR 2SA1037K-R	C2863	403 069 9500	CERAMIC 0.01U Z 50V
	405 002 0407	TR 2SA1037K-S	C2864	403 248 1400	ELECT 1U M 50V
	405 002 6706	TR 2SA1179-M6-TA	C2865	403 069 9500	CERAMIC 0.01U Z 50V
	405 002 6904	TR 2SA1179-M7-TA	C2866	403 069 9500	CERAMIC 0.01U Z 50V
	405 014 4509	TR 2SC2412K-R	C2867	403 069 9500	CERAMIC 0.01U Z 50V
Q2858	405 014 4608	TR 2SC2412K-S	C2868	403 074 9502	CERAMIC 680P K 50V
	405 015 8704	TR 2SC2812-L6-TA	C2869	403 009 5807	CERAMIC 100P J 50V
	405 015 8902	TR 2SC2812-L7-TA	C2870	403 028 4201	CERAMIC 56P J 50V
	405 014 4509	TR 2SC2412K-R	C2871	403 166 1506	NP-ELECT 47U M 16V
	405 014 4608	TR 2SC2412K-S	C2876	403 014 3508	CERAMIC 18P J 50V
Q2866	405 015 8704	TR 2SC2812-L6-TA	C2877	403 008 7406	CERAMIC 10P D 50V
	405 015 8902	TR 2SC2812-L7-TA	C2878	403 069 9500	CERAMIC 0.01U Z 50V
	405 014 4509	TR 2SC2412K-R	C2879	403 069 9500	CERAMIC 0.01U Z 50V
	405 014 4608	TR 2SC2412K-S	C2880	403 070 2606	CERAMIC 0.1U Z 50V
	405 015 8704	TR 2SC2812-L6-TA	C2884	403 070 2606	CERAMIC 0.1U Z 50V
Q2868	405 015 8902	TR 2SC2812-L7-TA	C2886	403 069 9500	CERAMIC 0.01U Z 50V
	405 002 0308	TR 2SA1037K-R			
	405 002 0407	TR 2SA1037K-S			
	405 002 6706	TR 2SA1179-M6-TA			
	405 002 6904	TR 2SA1179-M7-TA			
<b>INTEGRATED CIRCUIT</b>			<b>RESISTOR</b>		
IC2803	409 319 0600	IC MC141625AFU	R28A2	401 038 6406	MT-GLAZE 4.7K JA 1/10W
IC2804	409 124 5302	IC L78M05T	R28A3	401 038 6505	MT-GLAZE 47K JA 1/10W
IC2851	409 115 3300	IC M51271FP-75A	R28A4	401 038 6406	MT-GLAZE 4.7K JA 1/10W
<b>CAPACITOR</b>			R28C1	401 038 7601	MT-GLAZE 560 JA 1/10W
C2800	403 248 1608	ELECT 47U M 16V	R2801	402 051 8705	FUSIBLE RES 4.7 J- 1/2W
C2801	403 233 0302	ELECT 100U M 16V	R2802	401 038 2101	MT-GLAZE 2.7K JA 1/10W
C2803	403 070 2606	CERAMIC 0.1U Z 50V	R2804	401 037 5400	MT-GLAZE 1K JA 1/10W
C2804	403 069 9500	CERAMIC 0.01U Z 50V	R2805	401 038 9001	MT-GLAZE 680 JA 1/10W
C2805	403 248 1608	ELECT 47U M 16V	R2806	401 038 6307	MT-GLAZE 470 JA 1/10W
C2806	403 070 2606	CERAMIC 0.1U Z 50V	R2807	401 038 5003	MT-GLAZE 390 JA 1/10W
C2807	403 070 2606	CERAMIC 0.1U Z 50V	R2808	401 038 6505	MT-GLAZE 47K JA 1/10W
C2808	403 085 6804	NP-ELECT 47U M 16V	R2809	401 038 6505	MT-GLAZE 47K JA 1/10W
C2809	403 248 2001	ELECT 4.7U M 25V	R2810	401 037 5608	MT-GLAZE 10K JA 1/10W
C2810	403 027 1201	CERAMIC 5P C 50V	R2811	401 037 5400	MT-GLAZE 1K JA 1/10W
C2811	403 248 1608	ELECT 47U M 16V	R2812	401 038 7601	MT-GLAZE 560 JA 1/10W
C2812	403 070 2606	CERAMIC 0.1U Z 50V	R2813	401 038 6307	MT-GLAZE 470 JA 1/10W
C2813	403 244 1206	ELECT 100U M 10V	R2814	401 038 5003	MT-GLAZE 390 JA 1/10W
C2814	403 070 2606	CERAMIC 0.1U Z 50V	R2815	401 038 2200	MT-GLAZE 27K JA 1/10W
C2815	403 070 2606	CERAMIC 0.1U Z 50V	R2816	401 038 0800	MT-GLAZE 22K JA 1/10W
C2816	403 070 2606	CERAMIC 0.1U Z 50V	R2817	401 038 3603	MT-GLAZE 3.3K JA 1/10W
C2817	403 070 2606	CERAMIC 0.1U Z 50V	R2818	401 038 3603	MT-GLAZE 3.3K JA 1/10W
C2818	403 244 1206	ELECT 100U M 10V	R2819	401 038 0107	MT-GLAZE 2K JA 1/10W
C2819	403 070 2606	CERAMIC 0.1U Z 50V	R2820	401 038 9209	MT-GLAZE 6.8K JA 1/10W
C2820	403 070 2606	CERAMIC 0.1U Z 50V	R2821	401 037 5608	MT-GLAZE 10K JA 1/10W
C2821	403 248 1608	ELECT 47U M 16V	R2822	401 037 6803	MT-GLAZE 12K JA 1/10W
C2822	403 069 9500	CERAMIC 0.01U Z 50V	R2823	401 037 9200	MT-GLAZE 1.8K JA 1/10W
C2823	403 070 2606	CERAMIC 0.1U Z 50V	R2824	401 037 5400	MT-GLAZE 1K JA 1/10W
C2824	403 248 1608	ELECT 47U M 16V	R2825	401 038 9001	MT-GLAZE 680 JA 1/10W
C2825	403 070 2606	CERAMIC 0.1U Z 50V	R2826	401 038 7304	MT-GLAZE 51K JA 1/10W
C2826	403 248 1608	ELECT 47U M 16V	R2827	401 038 7809	MT-GLAZE 56K JA 1/10W
C2827	403 070 2606	CERAMIC 0.1U Z 50V	R2828	401 037 5202	MT-GLAZE 100 JA 1/10W
C2828	403 248 1608	ELECT 47U M 16V	R2829	401 037 5202	MT-GLAZE 100 JA 1/10W
C2829	403 070 2606	CERAMIC 0.1U Z 50V	R2830	401 037 5608	MT-GLAZE 10K JA 1/10W
C2830	403 248 1905	ELECT 10U M 16V	R2831	401 038 9902	MT-GLAZE 750K JA 1/10W
C2831	403 070 2606	CERAMIC 0.1U Z 50V	R2832	401 038 3603	MT-GLAZE 3.3K JA 1/10W
C2832	403 248 1905	ELECT 10U M 16V	R2833	401 037 7909	MT-GLAZE 1.5K JA 1/10W
C2833	403 070 2606	CERAMIC 0.1U Z 50V	R2834	401 037 7909	MT-GLAZE 1.5K JA 1/10W
C2834	403 067 7805	MT-COMPO 0.47U J 50V	R2835	401 037 5400	MT-GLAZE 1K JA 1/10W
C2835	403 067 7805	MT-COMPO 0.47U J 50V	R2836	401 039 0304	MT-GLAZE 820 JA 1/10W
C2836	403 022 8304	CERAMIC 33P J 50V	R2837	401 038 0701	MT-GLAZE 2.2K JA 1/10W
C2837	403 241 3807	ELECT 220U M 10V	R2838	401 037 5400	MT-GLAZE 1K JA 1/10W
C2838	403 140 9207	NP-ELECT 10U M 16V	R2839	401 038 3603	MT-GLAZE 3.3K JA 1/10W
C2839	403 233 0302	ELECT 100U M 16V	R2840	401 038 5300	MT-GLAZE 39K JA 1/10W
			R2841	401 038 5300	MT-GLAZE 39K JA 1/10W

Ref. No.	Part No.	Description	Ref. No.	Part No.	Description
R2842	401 037 7909	MT-GLAZE 1.5K JA 1/10W	<b>Chassis Construction:</b>		
R2843	401 061 8903	OXIDE-MT 4.7 JA 1W	<b>Model :C28WP1B/C28WP1E</b>		
R2851	401 037 6902	MT-GLAZE 120K JA 1/10W	<b>Service Ref. No. C28WP1-00/C28WP1E-00</b>		
R2852	401 038 0701	MT-GLAZE 2.2K JA 1/10W	The below units are completely same with		
R2853	401 038 6000	MT-GLAZE 43K JA 1/10W	model C28WP1, refere to part list Service		
R2854	401 038 6307	MT-GLAZE 470 JA 1/10W	Ref No. C28WP1-00.		
R2855	401 038 6307	MT-GLAZE 470 JA 1/10W	1AA0B10E188A0 ASSY,PWB,CRT F2JE		
R2856	401 037 5806	MT-GLAZE 1M JA 1/10W	1AA0B10E27600 ASSY,PWB,FRONT F2JE		
R2857	401 037 6209	MT-GLAZE 11K JA 1/10W	1AA0B10E27700 ASSY,PWB,SUB POW. F2JE		
R2858	401 038 0206	MT-GLAZE 20K JA 1/10W	1AA0B10E27800 ASSY,PWB,POW/DEF. F2JE		
R2859	401 037 5608	MT-GLAZE 10K JA 1/10W	1AA0B10E28000 ASSY,PWB,VIDEO COM F2JE		
R2860	401 037 5400	MT-GLAZE 1K JA 1/10W	1AA0B10E28200 ASSY,PWB,MEGA TEXT F2JE		
R2861	401 038 6604	MT-GLAZE 470K JA 1/10W	1AA0B10E29500 ASSY,PWB,3L-Y SEP. F2JE		
R2862	401 037 7909	MT-GLAZE 1.5K JA 1/10W	Following lists are the difference		
R2863	401 038 0800	MT-GLAZE 22K JA 1/10W	between Service Ref. No. C28WP1-00 and		
R2864	401 038 0800	MT-GLAZE 22K JA 1/10W	C28WP1B-00/C28WP1E-00.		
R2865	401 038 5003	MT-GLAZE 390 JA 1/10W	Others are same with C28WP1.		
R2866	401 038 5300	MT-GLAZE 39K JA 1/10W	<b>610 263 4105 ASSY,PWB,MAIN F2JB</b>		
R2867	401 038 5300	MT-GLAZE 39K JA 1/10W	<b>1AA0B10E279A0</b>		
R2868	401 038 9001	MT-GLAZE 680 JA 1/10W	C123 403 248 1905 ELECT 10U M 16V		
R2869	401 038 6505	MT-GLAZE 47K JA 1/10W	C126 403 073 4201 CERAMIC 3900P K 50V		
R2870	401 038 7601	MT-GLAZE 560 JA 1/10W	C139 403 009 5708 CERAMIC 100P J 50V		
R2871	401 038 0800	MT-GLAZE 22K JA 1/10W	JT004 None		
R2872	401 038 0800	MT-GLAZE 22K JA 1/10W	L126 645 003 9850 INDUCTOR,6.8U K		
R2877	401 037 5400	MT-GLAZE 1K JA 1/10W	Q267 405 014 4509 TR 2SC2412K-R		
R2880	401 038 6208	MT-GLAZE 47 JA 1/10W	405 015 8704 TR 2SC2812-L6-TA		
R2881	401 038 2002	MT-GLAZE 270 JA 1/10W	Q268 405 002 0308 TR 2SA1037K-R		
R2882	401 037 5400	MT-GLAZE 1K JA 1/10W	405 002 6706 TR 2SA1179-M6-TA		
R2883	401 037 5400	MT-GLAZE 1K JA 1/10W	R125 401 037 9101 MT-GLAZE 180 JA 1/10W		
R2884	401 037 5608	MT-GLAZE 10K JA 1/10W	R135 401 026 3905 CARBON 330 JA 1/6W		
R2885	401 037 5608	MT-GLAZE 10K JA 1/10W	R139 401 025 7409 CARBON 220 JA 1/6W		
R2886	401 038 6505	MT-GLAZE 47K JA 1/10W	R267 401 037 7909 MT-GLAZE 1.5K JA 1/10W		
R2888	401 038 6307	MT-GLAZE 470 JA 1/10W	R268 401 038 6406 MT-GLAZE 4.7K JA 1/10W		
R2889	401 037 5400	MT-GLAZE 1K JA 1/10W	R269 401 037 5400 MT-GLAZE 1K JA 1/10W		
<b>VARIABLE RESISTOR</b>			R856 401 038 3603 MT-GLAZE 3.3K JA 1/10W		
VR2801	645 002 3491	VR,SEMI,2.2K S	X126 610 015 2885 TRAP,CERAMIC 6.0MHZ		
<b>COIL</b>			X127 None		
L2800	645 008 2009	INDUCTOR,10U K	X131 645 003 2813 CERAMIC FILTER		
L2801	645 011 1389	FILTER,LP 7MHZ	<b>610 263 3337 ASSY,PWB,AUDIO COMP F2JB</b>		
L2802	645 011 1389	FILTER,LP 7MHZ	<b>1AA0B10E281A0</b>		
L2803	645 006 3343	FILTER,EMI 10000PF	<b>610 263 4129 ASSY,PWB,NICAM/DOLBY</b>		
L2804	645 006 3596	INDUCTOR,1.1UH	<b>F2JB1AA0B10E281A0</b>		
L2805	645 006 3343	FILTER,EMI 10000PF	C3401 None		
L2806	645 006 3596	INDUCTOR,1.1UH	C3402 None		
L2807	645 006 3596	INDUCTOR,1.1UH	C3403 None		
L2808	645 008 2009	INDUCTOR,10U K	C3404 None		
L2809	645 008 2009	INDUCTOR,10U K	C3405 None		
L2810	645 018 6776	FILTER,LP 7MHZ	C3406 None		
L2851	645 008 2474	INDUCTOR,4.7U K	C3407 None		
<b>DIODE</b>			C3408 None		
D2802	407 071 6403	ZENER DIODE DZD5.1X-TA	C3409 None		
<b>MISCELLANEOUS</b>			C3411 None		
IC2801	405 111 1203	TR FMQ1 T148	C3412 None		
IC2802	405 111 1203	TR FMQ1 T148	C3414 Jumper wire		
IC2852	405 111 1203	TR FMQ1 T148			
TP-E	610 012 3991	JUNPER LEAD			
TP-Y	610 012 3991	JUNPER LEAD			
X2852	645 000 5374	OSC,CRYSTAL 17.734475MHZ			

Ref. No.	Part No.	Description	Ref. No.	Part No.	Description
C3421	None				
C3422	None				
C3451	403 074 6600	CERAMIC 560P K 50V			
C3452	403 069 9500	CERAMIC 0.01U Z 50V			
C3453	403 069 9500	CERAMIC 0.01U Z 50V			
C3454	403 069 9500	CERAMIC 0.01U Z 50V			
D3401	None				
D3402	None				
IC2401	None				
Q3451	405 014 4509	TR 2SC2412K-R			
	405 015 8704	TR 2SC2812-L6-TA			
R3401	None				
R3402	None				
R3403	None				
R3451	401 038 2002	MT-GLAZE 270 JA 1/10W			
R3452	401 038 3504	MT-GLAZE 330 JA 1/10W			
R3453	401 037 5608	MT-GLAZE 10K JA 1/10W			
R3454	401 038 3405	MT-GLAZE 33 JA 1/10W			
R3455	401 037 9200	MT-GLAZE 1.8K JA 1/10W			
R3477	None				
R3479	None				
T3401	None				
X3401	None				
<b>610 263 4112 ASSY,PWB,S1F F2JB</b>					
<b>1AA0B10E281A0</b>					
C3811	None				
C3812	None				
C3813	None				
C3814	None				
C3815	None				
IC3811	None				
R3811	None				
R3814	None				
R3815	None				
R3845	None				
R3846	None				
X3801	421 002 4405	SAW F TSB5303			
X3811	None				
X3814	None				
<b>OUT OF CIRCUIT BOARD</b>					
<u>A</u> W901	645 011 8838	ASSY,CORD,POWER			

